

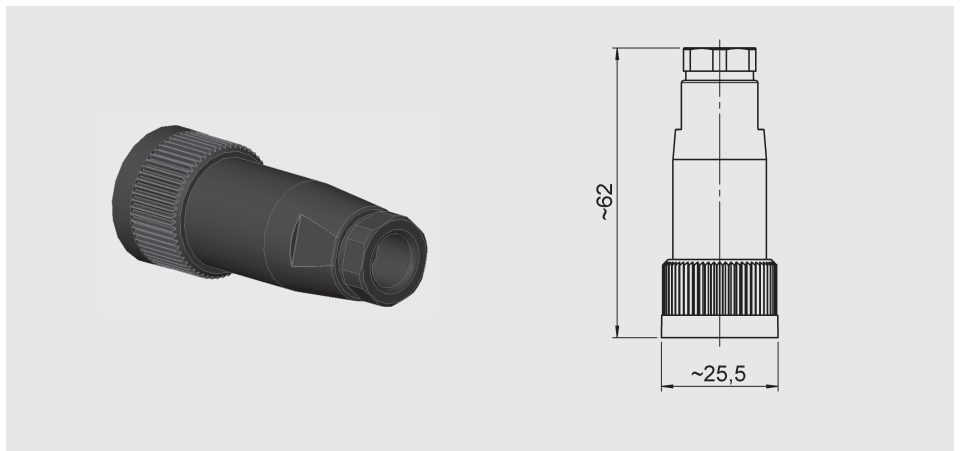
Electrical Accessories

Female Connectors for Sensors

ZBE 02

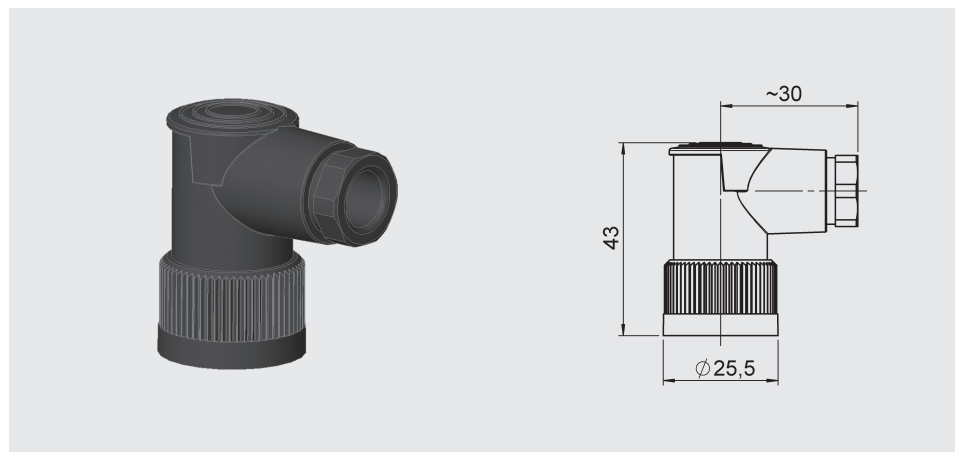
Female connector
Binder Series 714 M18
4 pole, straight
Cable diameter: 6.5 .. 8 mm
Part No.: 609479

With electrical connection type "4":
(Male Binder series 714 M18)



ZBE 03

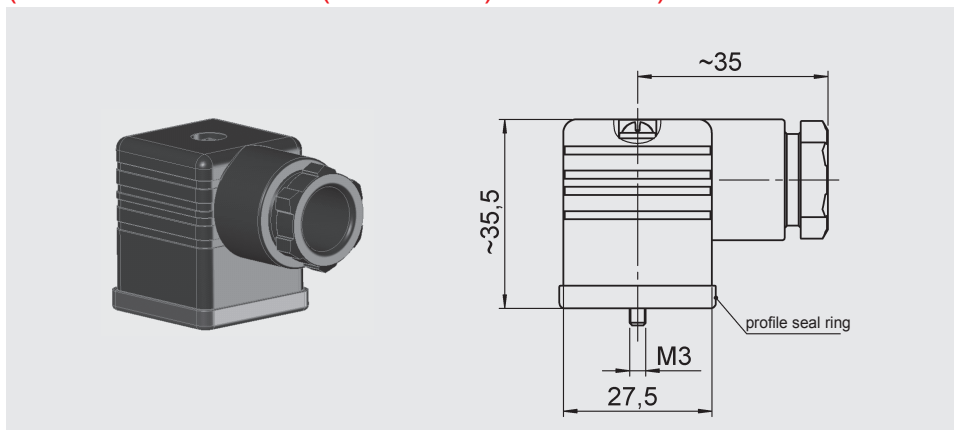
Female connector
Binder Series 714 M18
4 pole, right-angle
Cable diameter: 6.5 .. 8 mm
Part No.: 609480



ZBE 01

Female connector
EN175301-803 (DIN 43650) / ISO 4400
3 pole + PE, right-angle
Cable diameter: 4.5 .. 7 mm
Part No.: 905701

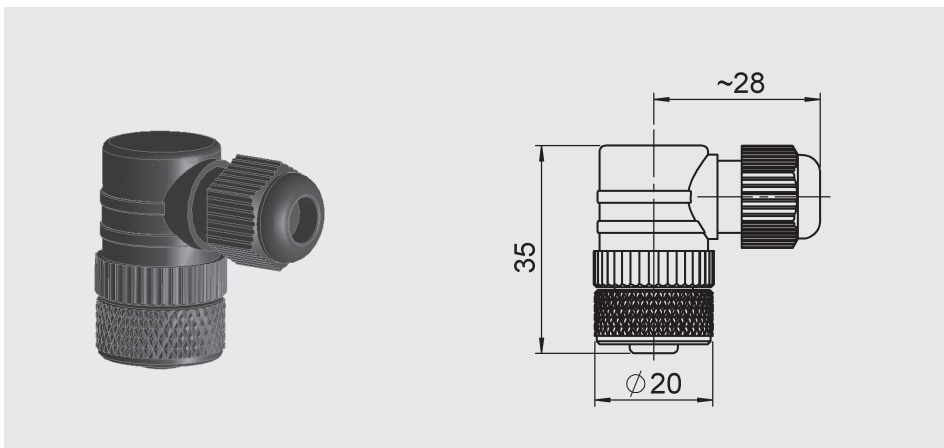
With electrical connection type "5":
(Male EN175301-803 (DIN 43650) / ISO 4400)



ZBE 06

Female connector M12x1
4 pole, right-angle
Cable diameter: 2.5 .. 6.5 mm
Part No.: 6006788

**With electrical connection type "6":
(Male M12x1, 4 pole)**



ZBE 06-02

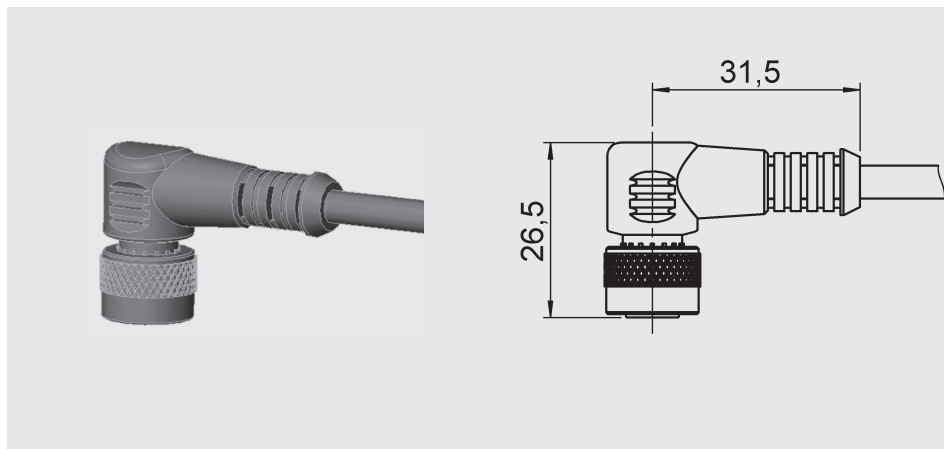
Female connector M12x1
4 pole, right-angle
with 2 m cable
Part No.: 6006790

ZBE 06-05

Female connector M12x1
4 pole, right-angle
with 5 m cable
Part No.: 6006789

Colour code:

Pin 1: brown
Pin 2: white
Pin 3: blue
Pin 4: black

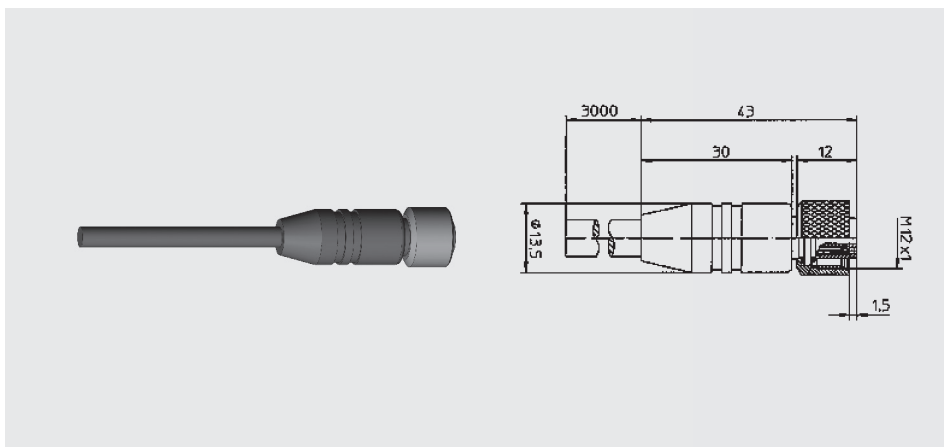


ZBE 06S-03

Female connector M12x1
4-pole, straight
with 3 m cable, shielded
Part No.: 6098243

ZBE 06S-05

Female connector M12x1
4-pole, straight
with 5 m cable, shielded
Part No.: 6143284

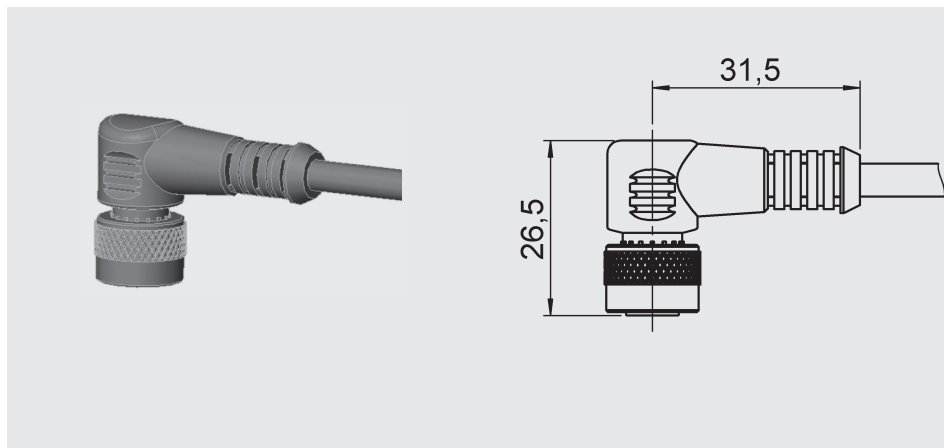


ZBE 06S-05

Female connector M12x1
4 pole, right-angle
with 5 m cable, shielded
Part No.: 6044891

Colour code:

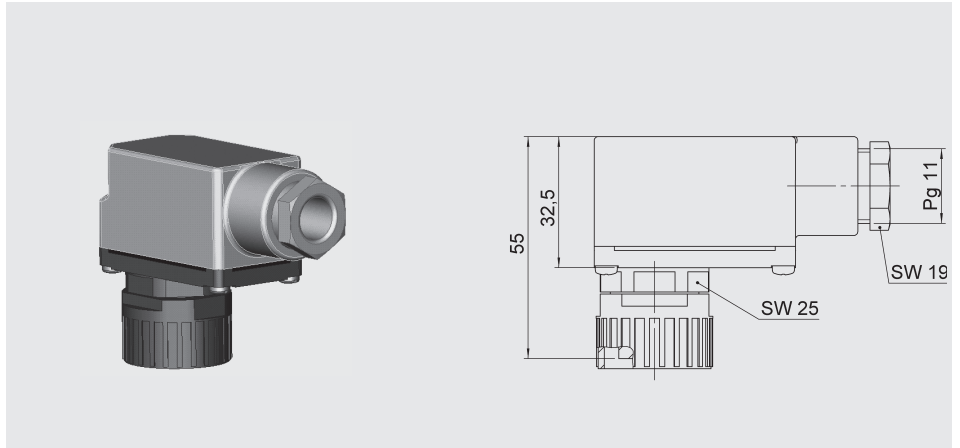
Pin 1: brown
Pin 2: white
Pin 3: blue
Pin 4: black



ZBE 10

Female connector DIN 43651
6 pole + PE, right-angle
Cable diameter: 7 .. 9 mm
Part No.: 654527

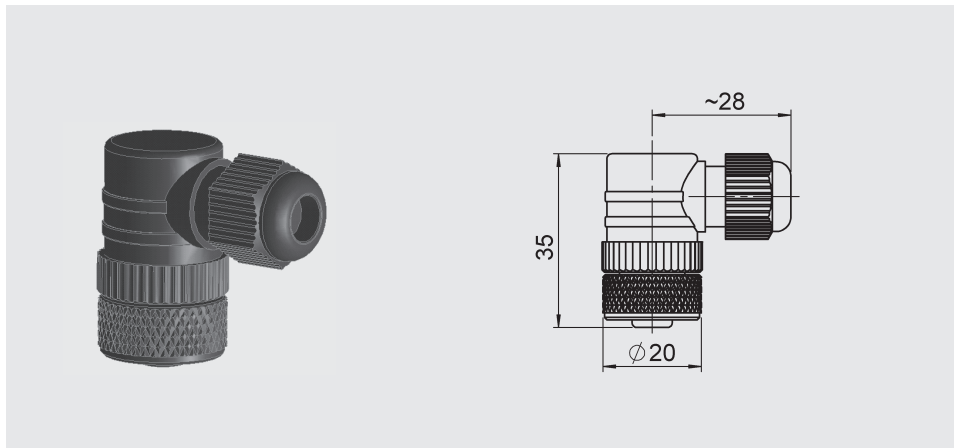
With electrical connection type "7": (Male DIN 43651)



ZBE 08

Female connector M12x1
5 pole, right-angle
Cable diameter: 2.5 .. 6.5 mm
Part No.: 6006786

With electrical connection type "8": (Male M12x1, 5 pole)



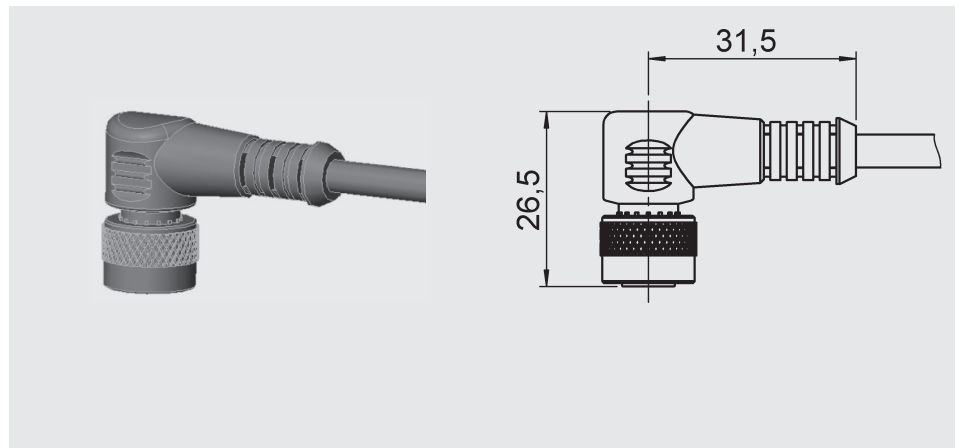
ZBE 08-02

Female connector M12x1
5 pole, right-angle
with 2 m cable
Part No.: 6006792

ZBE 08-05

Female connector M12x1
5 pole, right-angle
with 5 m cable
Part No.: 6006791

Colour code:
Pin 1: brown
Pin 2: white
Pin 3: blue
Pin 4: black
Pin 5: grey



ZBE 08S-02

Female connector M12x1
5 pole, right-angle
with 2 m cable, shielded
Part No.: 6019455

ZBE 08S-05

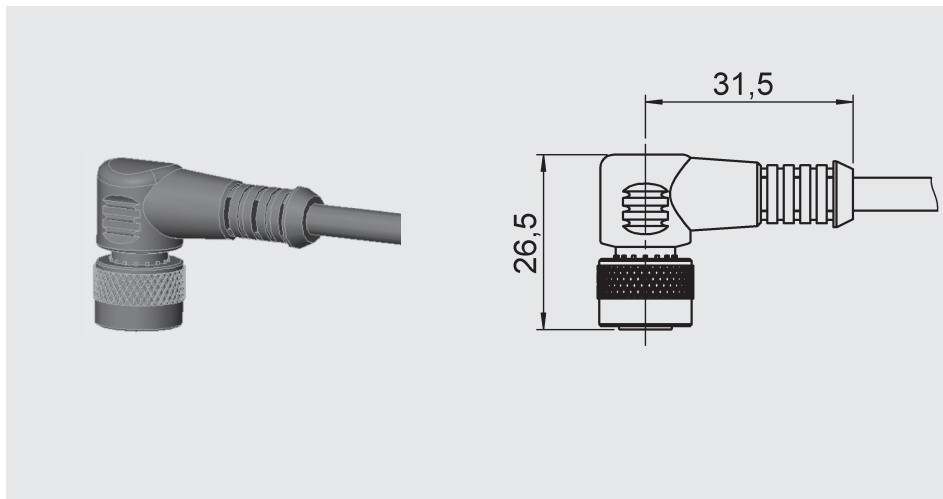
Female connector M12x1
5 pole, right-angle
with 5 m cable, shielded
Part No.: 6019456

ZBE 08S-10

Female connector M12x1
5 pole, right-angle
with 10 m cable, shielded
Part No.: 6023102

Colour code:

- Pin 1: brown
- Pin 2: white
- Pin 3: blue
- Pin 4: black
- Pin 5: grey

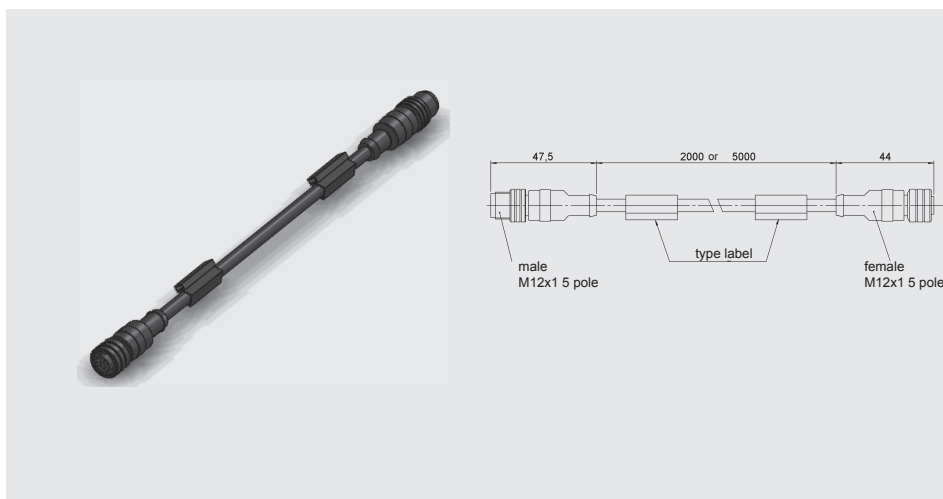


ZBE 30-02

Connection cable M12x1
plug/socket
5 pole, 2 m
Part No.: 6040851

ZBE 30-05

Connection cable M12x1
plug/socket
5 pole, 5 m
Part No.: 6040852



ZBE 0P

Female connector M12x1
8 pole, right-angle
Cable diameter: 4 .. 8 mm
Part No.: 6055444

ZBE 0P-02

Female connector M12x1
8 pole, right-angle
with 2 m cable
Part No.: 6052697

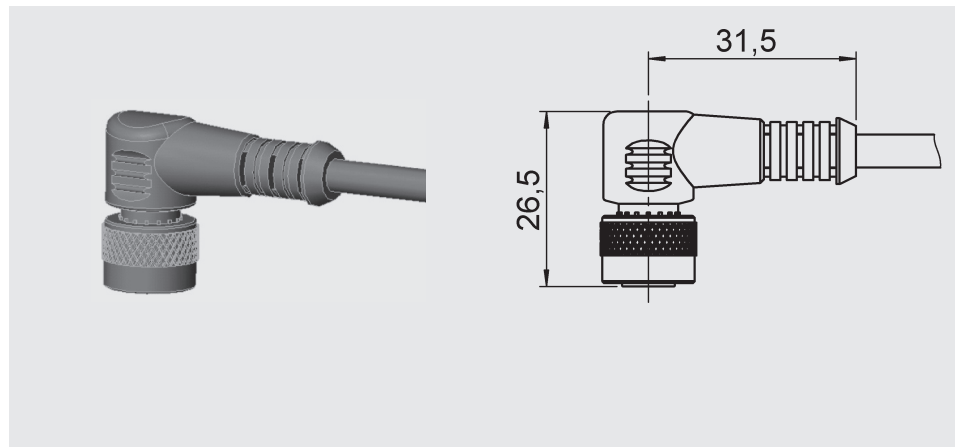
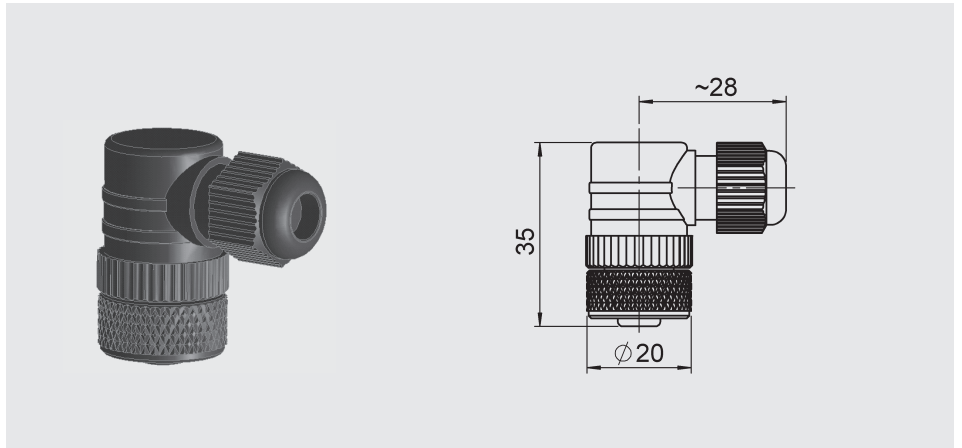
ZBE 0P-05

Female connector M12x1
8 pole, right-angle
with 5 m cable
Part No.: 6052698

Colour code:

Pin 1: white
Pin 2: brown
Pin 3: green
Pin 4: yellow
Pin 5: grey
Pin 6: pink
Pin 7: blue
Pin 8: red

**With electrical connection type "P":
(Male M12x1, 8 pole)**



Note:

The information in this brochure relates to the operating conditions and applications described.

For applications or operating conditions not described, please contact the relevant technical department.

Subject to technical modifications.

HYDAC ELECTRONIC GMBH

Hauptstraße 27, D-66128 Saarbrücken
Telephone +49 (0)6897 509-01
Fax +49 (0)6897 509-1726
E-mail: electronic@hydac.com
Internet: www.hydac.com