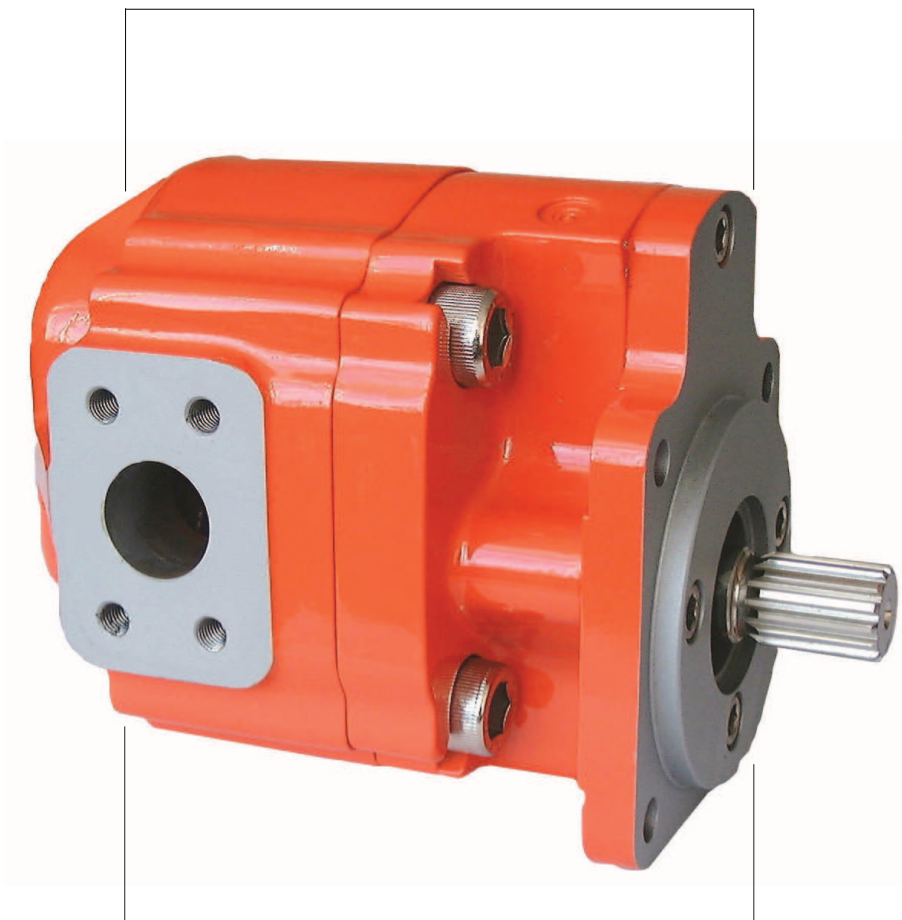


Q SERIES

HYDRAULIC GEAR PUMPS



16 to 240 cm³/rev (1 to 14.6 cu.in/rev)
280 bar (4000 psi) peak pressure

DAVID BROWN HYDRAULICS



With its headquarters in the UK, other David Brown Hydraulics companies located in Europe & Australia, and approved stockists & distributors located throughout the world, David Brown Hydraulics is able to offer global sales and service support for its mobile hydraulics products.



■ Pumps

■ Motors



■ Directional Valves

■ Pilot Controllers

■ Subplate Valves

■ Cartridge Valves



David Brown Hydraulics' Engineers have years of experience of working with customers to establish optimum hydraulic circuits. Where possible standard products are specified but, if applicable, customised or special designs can be produced.



Q SERIES HYDRAULIC PUMPS - INDEX

This brochure covers in detail, single, double and multiple pumps of each of the 4 frame sizes Q4, Q5, Q6 and Q7 in spur gear (R) and helical gear (S) types.

It is possible to connect pumps of different sizes as triples or even quadruple units but it is not practicable to cover the huge number of permutations in a publication of this type. Please consult your David Brown Hydraulics representative - see back cover. Overall dimensions of these multiple pumps are shown on Page 39.

INDEX

"At a Glance" and Model Number details to enable you to select a pump and create its model number are shown on Pages 4 and 5. Description & Benefits of the range are shown on Page 6.

FEATURES	PAGE
At a Glance Ratings	4
Model Number Code Structure	5*
Q Series Pumps - Description & Benefits.....	6
Q Series Pumps - Technical Data.....	7
Inlet conditions	7
QR4/QS4 Dimensional Data.....	8 & 9
Performance Data.....	10
Efficiencies, Noise Levels, Moments of Inertia	11
Shaft Seals & Drive Shafts.....	12
Mounting Flanges	13
Port Positions, Types & Dimensions	14 & 15
QR5/QS5 Dimensional Data.....	16 & 17
Performance Data.....	18
Efficiencies, Noise Levels, Moments of Inertia	19
Shaft Seals & Drive Shafts.....	20
Mounting Flanges	21
Port Positions, Types & Dimensions	22 & 23
QR6/QS6 Dimensional Data.....	24 & 25
Performance Data.....	26
Efficiencies, Noise Levels, Moments of Inertia	27
Shaft Seals & Drive Shafts.....	28
Mounting Flanges	29
Port Positions, Types & Dimensions	30 & 31
QS7 Dimensional Data.....	32 & 33
Performance Data	33
Efficiencies, Noise Levels, Moments of Inertia	34
Shaft Seals & Drive Shafts.....	35
Mounting Flanges, Port & Port Details.....	36 & 37
Q Series Multiple Pumps	38 & 39

* Please note that the model codes for features such as shafts, ports etc are indicated on the relevant pages together with pump model number examples.

Before ordering, please ensure that the pump will be operating within quoted pressure, temperature, speed and fluid parameters and that the pD factors are not exceeded (see Pages 12, 20, 28, 35 and 38).

AT A GLANCE - THE DAVID BROWN HYDRAULICS Q SERIES PUMP RANGE

QR SERIES				QS SERIES			
Spur Gears				Helical Gears			
MODEL	DISPLACEMENT	RATED PRESSURE	PEAK PRESSURE	MODEL	DISPLACEMENT	RATED PRESSURE	PEAK PRESSURE
	cm ³ /rev (cu.in/rev)	bar (psi)	bar (psi)		cm ³ /rev (cu.in/rev)	bar (psi)	bar (psi)
R4016	16 (0.975)	250 (3625)	280 (4060)	S4016	16.0 (0.975)	250 (3625)	280 (4060)
R4019	19 (1.158)	250 (3625)	280 (4060)	S4023	22.2 (1.341)	250 (3625)	280 (4060)
R4023	23 (1.402)	250 (3625)	280 (4060)	S4027	26.1 (1.585)	250 (3625)	280 (4060)
R4027	27 (1.646)	250 (3625)	280 (4060)	S4032	30.9 (1.884)	250 (3625)	280 (4060)
R4032	32 (1.951)	250 (3625)	280 (4060)	S4037	35.8 (2.183)	250 (3625)	280 (4060)
R4038	38 (2.317)	250 (3625)	280 (4060)	S4042	40.6 (2.476)	210 (3045)	235 (3408)
R4045	45 (2.746)	250 (3625)	280 (4060)	S5045	43.5 (2.652)	250 (3625)	280 (4060)
R4053	53 (3.230)	210 (3045)	235 (3408)	S5051	49.3 (3.006)	250 (3625)	280 (4060)
R4060	60 (3.660)	180 (2610)	200 (2900)	S5060	58.0 (3.537)	250 (3625)	280 (4060)
R5045	45 (2.746)	250 (3625)	280 (4060)	S5070	67.7 (4.128)	250 (3625)	280 (4060)
R5053	53 (3.231)	250 (3625)	280 (4060)	S5085	82.2 (5.012)	210 (3045)	235 (3408)
R5063	63 (3.841)	250 (3625)	280 (4060)	S6083	80.3 (4.896)	250 (3625)	280 (4060)
R5073	73 (4.451)	250 (3625)	280 (4060)	S6097	93.8 (5.720)	250 (3625)	280 (4060)
R5085	85 (5.183)	250 (3625)	280 (4060)	S6113	109.3 (6.665)	250 (3625)	280 (4060)
R5100	100 (6.098)	210 (3045)	235 (3408)	S6132	127.6 (7.780)	250 (3625)	280 (4060)
R5120	120 (7.317)	180 (2610)	200 (2900)	S6155	149.9 (9.140)	210 (3045)	235 (3408)
R6100	100 (6.098)	250 (3625)	280 (4060)	S7155	149.9 (9.140)	250 (3625)	280 (4060)
R6117	117 (7.134)	250 (3625)	280 (4060)	S7180	174.1 (10.615)	250 (3625)	280 (4060)
R6137	137 (8.354)	250 (3625)	280 (4060)	S7208	201.1 (12.262)	250 (3625)	280 (4060)
R6160	160 (9.756)	250 (3625)	280 (4060)	S7248	239.8 (14.622)	250 (3625)	280 (4060)
R6187	187 (11.402)	210 (3045)	235 (3408)				
R6220	220 (13.415)	180 (2610)	200 (2900)				

Note: Theoretical flow rate = $\frac{\text{cm}^3/\text{rev} \times \text{rev}/\text{min}}{1000}$ (litre/min)
= $(.00433 \times \text{cu.in}/\text{rev} \times \text{rev}/\text{min})$ (US gal/min)

Q SERIES PUMPS - MODEL NUMBERS*

Front or single pump
Rear pump (omit for single pumps)
Front or single port configuration
Rear port configuration (omit for single pump)

R1A4016R4016B12A1H1A0X1AA

Gear type

R = spur
S = helical

1 = design mark

Shaft seals

A = seal and wiper
C = seal wiper, seal with tell-tale

Frame size

4, 5, 6, 7

Displacements

R Series	DISPLACEMENT		S Series	DISPLACEMENT	
	cm ³ /rev	in ³ /rev		cm ³ /rev	in ³ /rev
R4016	16.0	0.975	S4016	16.0	0.975
R4019	19.0	1.158	S4023	22.2	1.341
R4023	23.0	1.402	S4027	26.1	1.585
R4027	27.0	1.646	S4032	30.9	1.884
R4032	32.0	1.951	S4037	35.8	2.183
R4038	38.0	2.317	S4042	40.6	2.476
R4045	45.0	2.746	S5045	43.5	2.652
R4053	53.0	3.230	S5051	49.3	3.006
R4060	60.0	3.660	S5060	58.0	3.537
R5045	45.0	2.746	S5070	67.7	4.128
R5053	53.0	3.231	S5085	82.2	5.012
R5063	63.0	3.841	S6083	80.3	4.896
R5073	73.0	4.451	S6097	93.8	5.720
R5085	85.0	5.183	S6113	109.3	6.665
R5100	100.0	6.098	S6132	127.6	7.780
R5120	120.0	7.317	S6155	149.9	9.140
R6100	100.0	6.098	S7155	149.9	9.140
R6117	117.0	7.134	S7180	174.1	10.615
R6137	137.0	8.354	S7208	201.1	12.262
R6160	160.0	9.756	S7248	239.8	14.622
R6187	187.0	11.402			
R6220	220.0	13.415			

Drive Shafts

Code	Description	Frame Sizes			
A	5/8" - SAE A spline	4			
E	5/8" - SAE A parallel	4			
B	7/8" - SAE B spline	4	5		
F	7/8" - SAE B parallel	4			
Q	1" - SAE BB spline	4	5		
H	1" - SAE BB parallel	4	5		
C	1.1/4" - SAE C spline		5	6	7
G	1.1/4" - SAE C parallel		5	6	7
T	1.1/2" - SAE CC spline			6	7
N	1.1/2" - SAE CC parallel			6	7
D	1.3/4" - SAE D spline				7
P	1.3/4" - SAE D parallel				7
See page number		12	20	28	35

Mounting Flanges

Code	Description	Frame Sizes			
1	2 bolt SAE A	4			
2	2 bolt SAE B	4	5		
3	4 bolt SAE B	4	5		
4	2 bolt SAE C	4	5	6	
5	4 bolt SAE C	4	5	6	7
7	4 bolt SAE D				7
See page number		13	21	29	36

Rotation

from shaft end
A = anti-clockwise
C = clockwise

See port options below

Outlet port sizes - see pages 15, 23, 31 & 37

Port Code	Port Size
A	1/2
B	3/4
D	1
E	1.1/16
F	1.1/4
G	1.5/16
H	1.1/2
J	1.5/8
K	2

Outlet port type - see pages 15, 23, 31 & 37

Code	Description
1	SAE split flange - metric bolts - Code 61
2	SAE split flange - UNC bolts - Code 61
3	BSP.P thread
4	SAE UNF 'O'-ring thread

Inlet port sizes - see pages 15, 23, 31 & 37

Port Code	Port Size	Port Code	Port Size
A	1/2	H	1.1/2
B	3/4	J	1.5/8
C	7/8	K	2
D	1	L	2.1/2
E	1.1/16	M	3
F	1.1/4	N	4
G	1.5/16	X	No Port

Inlet port type - see pages 15, 23, 31 & 37

Code	Description
0	No port
1	SAE split flange - metric bolts - Code 61
2	SAE split flange - UNC bolts - Code 61
3	BSP.P thread
4	SAE UNF O'ring thread

Inlet port positions - see pages 14, 22, 31 & 37

Code	Description	Single Pump	Double Pump	Dual Pump
A	Inlet port in front section	✓	✓	
B	Separate inlet ports		✓	
C	Common inlet port			✓

Number of pump sections

Code	Description
1	1 pump section
2	2 pump sections
3	3 pump sections
4	4 pump sections

* Use this chart to compile standard dual and double pump model numbers. For special features and for triple and quadruple pumps please consult your David Brown Hydraulics representative.

Before ordering please check that the pump will be operated within quoted parameters and that drive shaft "pD" factors are not exceeded. See page 38.

THE DAVID BROWN HYDRAULICS Q SERIES PUMP RANGE

In response to market needs, the QR and QS ranges have been developed to combine very high efficiencies with very low noise levels while retaining the rugged simplicity of well-proven hydraulic gear pumps.

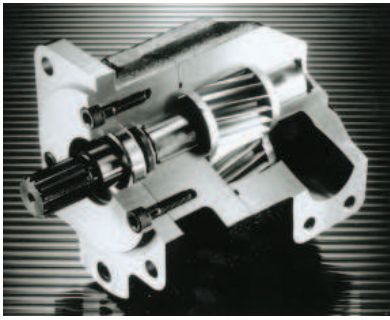
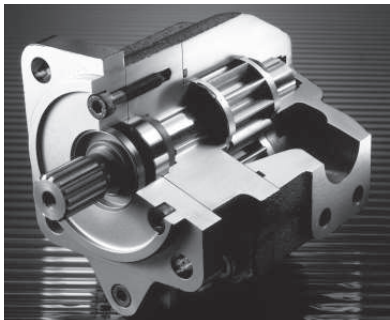
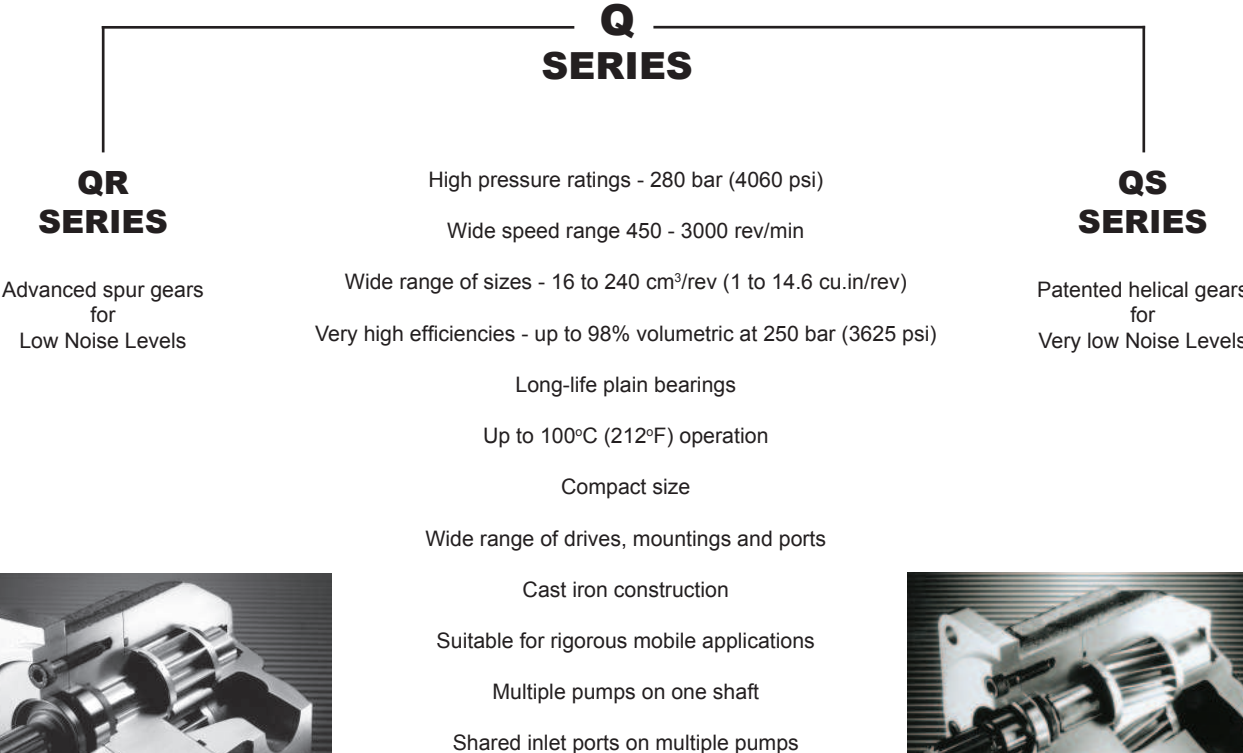
Both series are of cast iron construction and high quality steel gears are supported by hydrodynamic plain (bush) bearings which are lubricated by a system which draws cool fluid from the inlet port.

QR spur gear pumps are designed for minimum pressure ripple while the QS Series features patented helical gears which reduce ripple and noise levels even further.

The pumps will work to peak pressures up to 280 bar (4060 psi) and careful attention to inlet porting enables most pumps to run at up to 3000 rev/min.

QR SERIES PUMP EFFICIENCIES COMPARE WITH THE VERY BEST SPUR GEAR PUMPS WHILE NOISE GENERATION IS REDUCED TO NEW LOW LEVELS.

QS SERIES HELICAL GEAR PUMPS - FOR REALLY NOISE CRITICAL APPLICATIONS - RETAIN THE HIGH EFFICIENCY LEVELS OF THE QR SERIES BUT GENERATE EVEN LOWER NOISE DUE TO PRESSURE RIPPLE REDUCTIONS OF UP TO 75%.



Q SERIES TECHNICAL DATA

OPERATING PARAMETERS

Q Series pumps are designed to provide high performance levels and long life when operated within the parameters shown. For operation outside these parameters please consult your David Brown Hydraulics representative.

Maximum outlet port pressures	- see Page 4.
Inlet port pressures	- see below.
Speed Range	Q4450 - 3000 rev/min Q5450 - 3000 rev/min Q6450 - 2750 rev/min Q7450 - 2400 rev/min
Temperature	Minimum at start-up-40°C (-40°F) Maximum continuous.....+80°C (+176°F) Maximum intermittent.....+100°C (+212°F)
Viscosity	Maximum at start-up2000 mm ² /sec (9,000 SSU) Maximum continuous.....250 mm ² /sec (1150 SSU) Minimum continuous.....10 mm ² /sec (60 SSU) Optimum15-25 mm ² /sec (78-124 SSU)
Fluid Cleanliness	To ISO4406 solid contaminant Start-up period21/17 Maximum in service19/15 Optimum16/11 Maximum water.....0.1%
Fluid Velocity	Maximum in INLET line.....2.5 m/sec (8 ft/sec) Recommended in INLET line.....1.5 m/sec (5 ft/sec)
Shaft Loads	Maximum end load.....250 N (56 lb) Maximum radial load.....500 N (112 lb)
Fluids	All data is quoted for mineral oils HM and HV. For fire resistant and environmentally aware fluids please contact your David Brown Hydraulics representative.
Moments of Inertia	See page 11, 19, 27, 34
Rotation	Clockwise or Anti-clockwise viewed from shaft end (not reversible).
'C' Seal Design	The outer seal is rated to 0.3 bar

INLET CONDITIONS

It is essential that pumps are installed so that they can always fill with fluid.

'Q' Series pump inlet porting is designed to facilitate full volume fill but the following machine design recommendations should be followed.

- **Never run pumps dry - particular care should be taken to open any shut-off valves.**
- **Use large diameter pipes and fittings and avoid sharp bends and long lengths.**

Fluid velocity should not exceed 2.5 m/sec (8.0 ft/sec) calculated by:

$$V = \frac{21.22Q}{D^2} \text{ m/sec where } \begin{matrix} V = \text{velocity (m/sec)} \\ Q = \text{flow rate (l/min)} \\ D = \text{bore diameter (mm)} \end{matrix} \quad V = \frac{0.408Q}{D^2} \text{ ft/sec where } \begin{matrix} V = \text{velocity (ft/sec)} \\ Q = \text{flow rate (US gal/min)} \\ D = \text{bore diameter (inches)} \end{matrix}$$

- **If possible mount the pump below the lowest level of fluid in the tank. If necessary prime the pump on start-up.**
- **Ensure that inlet lines are airtight.**
- **Particular care should be taken where high speeds and/or high fluid viscosities are involved.**

As a general rule pressure at the pump inlet should not be less than 0.8 bar absolute (6" Hg depression) at normal viscosity of 23 mm²/sec (110 SSU).

David Brown Hydraulics' Engineers will be pleased to advise on any installation

QR4/QS4 DIMENSIONAL DATA

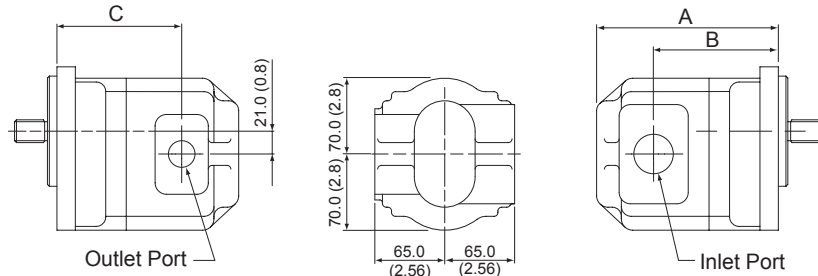
Note Drawings show clockwise rotation pumps. For anti-clockwise rotation pumps reverse the inlet and outlet port positions. (Rotation convention - view from pump shaft end).

Full detailed dimensions are shown on the relevant pages covering drive shafts, mounting flanges and ports.

SINGLE PUMPS - standard ports Code **A**

Example

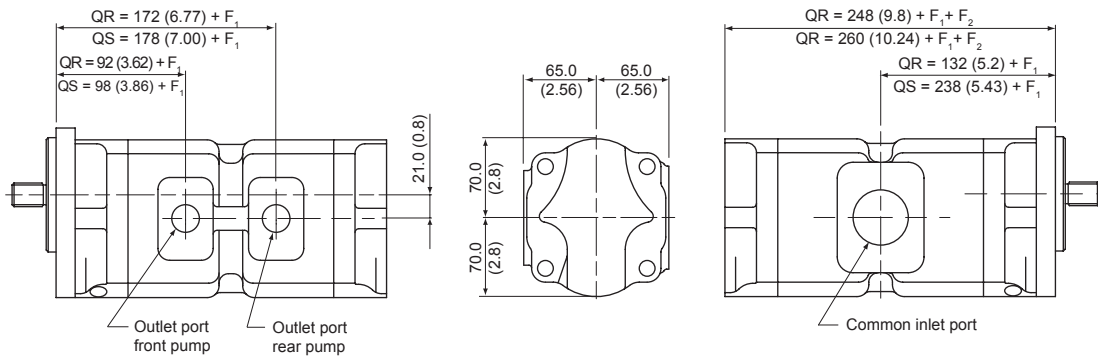
R1A4016A11 **A** 1D1AC



DUAL PUMPS - 1 inlet/2 outlets Code **C**

Example

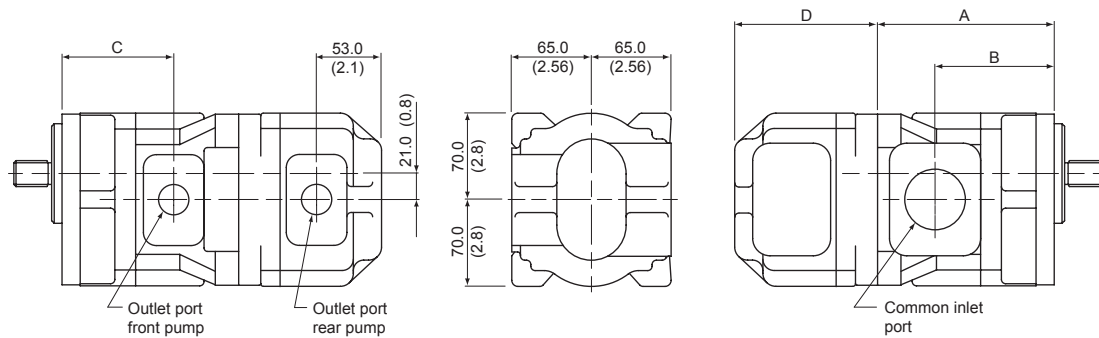
R1A4016R4016F12 **C** 1K1A0X1AC



DOUBLE PUMPS - 1 inlet/2 outlets Code **A**

Example

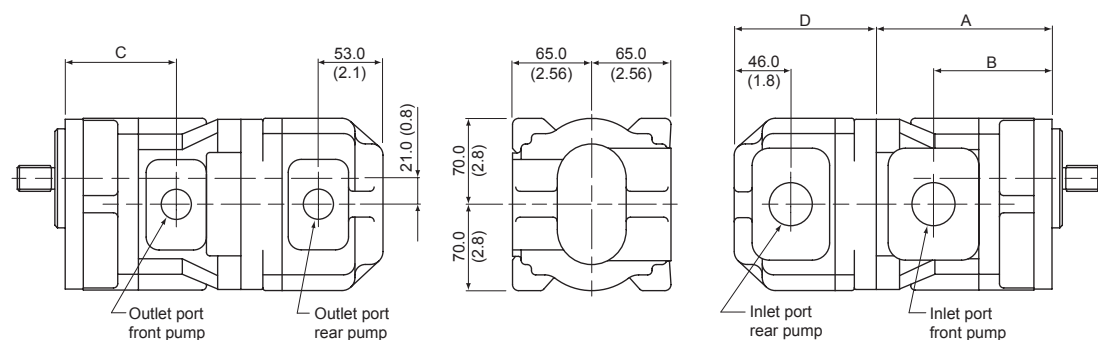
R1A40164016A12 **A** 1K1A0X1AC



DOUBLE PUMPS - 2 inlets/2 outlets Code **B**

Example

R1A4016R4016B12 **B** 1D1A1D1AC



TRIPLE AND QUADRUPLE PUMPS - See Pages 38 and 39.

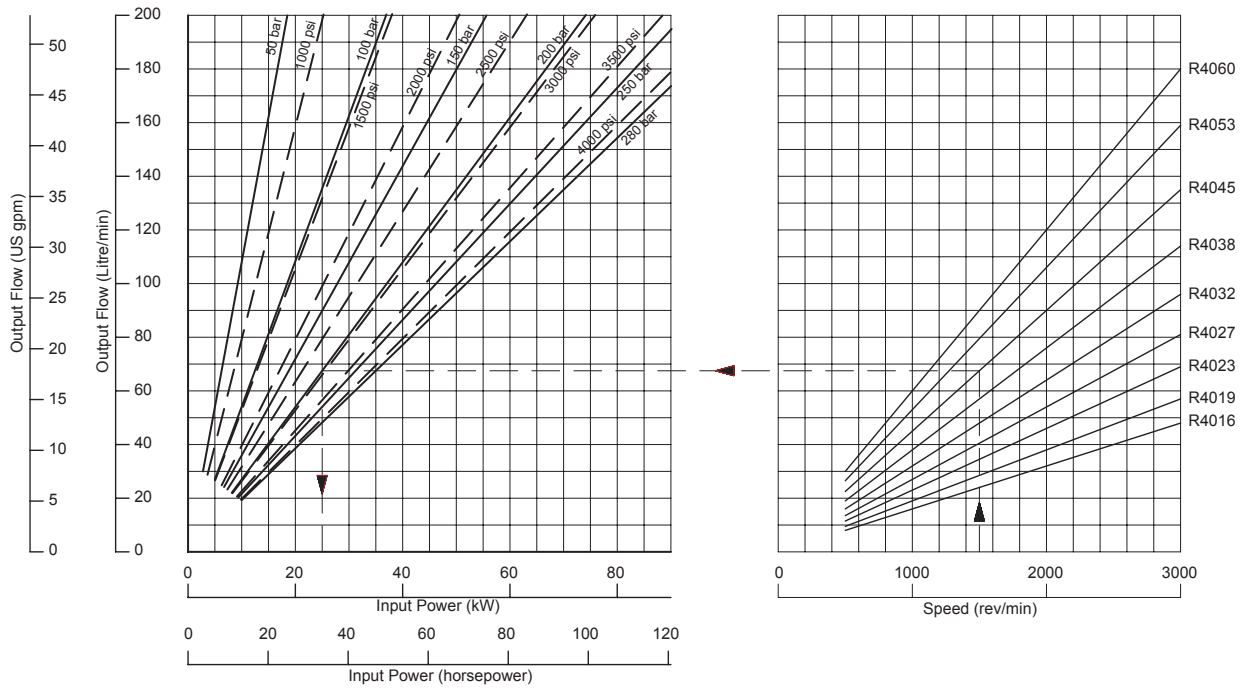
QR4/QS4 DIMENSIONAL DATA

PUMP	A mm (in)	B mm (in)	C mm (in)	D mm (in)	F1 Front Pump mm (in)	F2 Rear Pump mm (in)	WEIGHT kg (lb)		
							Single*	Front*	Rear*
R4016	145.0 (5.71)	99.0 (3.90)	92.0 (3.62)	115.0 (4.53)	0	0	11.7 (25.7)	13.9 (30.6)	11.2 (24.6)
R4019	147.0 (5.79)	101.0 (3.98)	94.0 (3.70)	118.0 (4.65)	3.0 (0.12)	3.0 (0.12)	12.0 (26.4)	14.2 (31.2)	11.5 (25.3)
R4023	150.0 (5.91)	104.0 (4.09)	97.0 (3.82)	121.0 (4.76)	6.0 (0.24)	6.0 (0.24)	12.2 (26.8)	14.4 (31.7)	11.7 (25.7)
R4027	154.0 (6.06)	108.0 (4.25)	101.0 (3.98)	124.0 (4.88)	9.0 (0.35)	9.0 (0.35)	12.6 (27.7)	14.8 (32.6)	12.1 (26.6)
R4032	158.0 (6.22)	112.0 (4.41)	105.0 (4.13)	128.0 (5.04)	13.0 (0.51)	13.0 (0.51)	13.0 (28.6)	15.2 (33.4)	12.5 (27.5)
R4038	163.0 (6.42)	117.0 (4.61)	110.0 (4.33)	133.0 (5.24)	18.0 (0.71)	18.0 (0.71)	13.5 (29.7)	15.7 (34.5)	13.0 (28.6)
R4045	169.0 (6.65)	123.0 (4.84)	116.0 (4.57)	139.0 (5.47)	24.0 (0.94)	24.0 (0.94)	14.0 (30.8)	16.2 (35.6)	13.5 (29.7)
R4053	175.0 (6.89)	129.0 (5.08)	122.0 (4.80)	146.0 (5.75)	31.0 (1.22)	31.0 (1.22)	14.7 (32.3)	16.9 (37.2)	14.2 (31.2)
R4060	181.0 (7.13)	135.0 (5.31)	128.0 (5.04)	151.0 (5.94)	36.0 (1.42)	36.0 (1.42)	15.2 (33.4)	17.4 (38.3)	14.7 (32.3)
S4016	151.0 (5.94)	104.0 (4.09)	98.0 (3.86)	121.0 (4.76)	0	0	12.3 (27.0)	14.5 (31.9)	11.8 (26.0)
S4023	158.0 (6.22)	112.0 (4.41)	105.0 (4.13)	129.0 (5.08)	8.0 (0.31)	8.0 (0.31)	13.0 (28.6)	15.2 (33.4)	12.5 (27.5)
S4027	163.0 (6.42)	117.0 (4.61)	110.0 (4.33)	134.0 (5.28)	13.0 (0.51)	13.0 (0.51)	13.5 (29.7)	15.7 (34.5)	13.0 (28.6)
S4032	169.0 (6.65)	123.0 (4.84)	116.0 (4.57)	139.0 (5.47)	18.0 (0.71)	18.0 (0.71)	14.0 (30.8)	16.2 (35.6)	13.5 (29.7)
S4037	175.0 (6.89)	129.0 (5.08)	122.0 (4.80)	145.0 (5.71)	24.0 (0.94)	24.0 (0.94)	14.5 (31.9)	16.7 (36.7)	14.0 (30.8)
S4042	181.0 (7.13)	135.0 (5.31)	128.0 (5.04)	151.0 (5.94)	30.0 (1.18)	30.0 (1.18)	15.0 (33.0)	17.2 (37.8)	14.5 (31.9)

* **Note** Weights are approximate
Double pump weight = (front + rear) weights
Dual pump weight = (front + rear) weights - 4.5 kg (10 lb)

QR4/QS4 PERFORMANCE DATA

QR4 SERIES

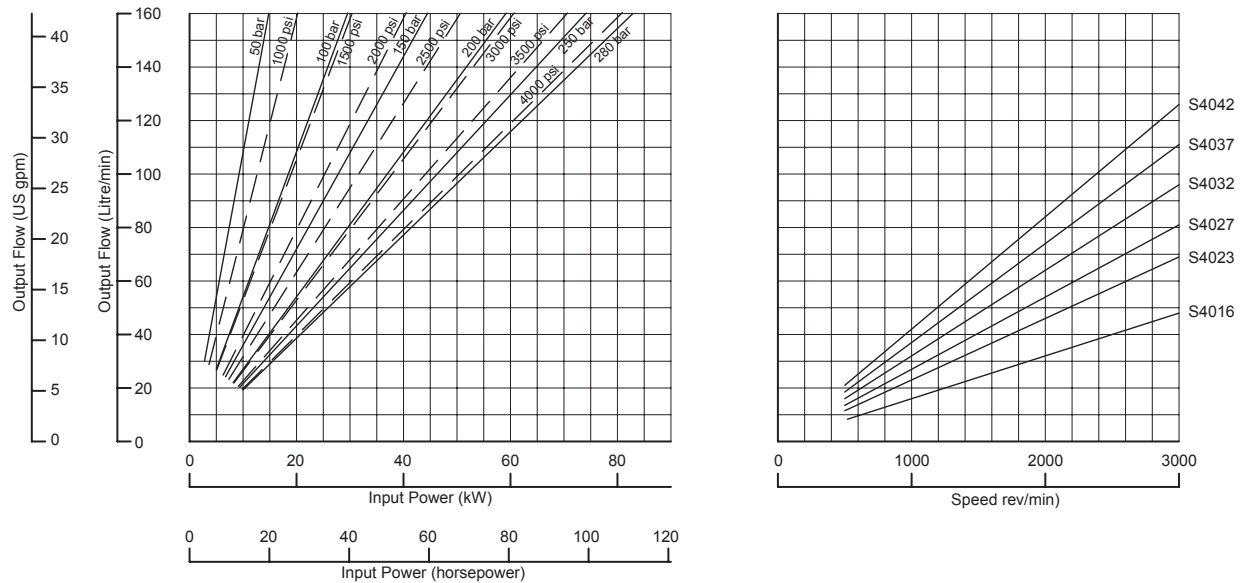


OUTPUT FLOWS are theoretical. Generally volumetric efficiencies are in excess of 95%. Your David Brown Hydraulics representative will advise for specific conditions.

INPUT POWERS are actual, taking into account average efficiencies. Please consult your David Brown Hydraulics' representative when output pressure is less than 50 bar.

Example R4045 at 1500 rev/min gives output flow of 67.5 l/min (17.8 US gal/min) and requires 25 kW (33.5 hp) to drive it at 200 bar (2900 psi).

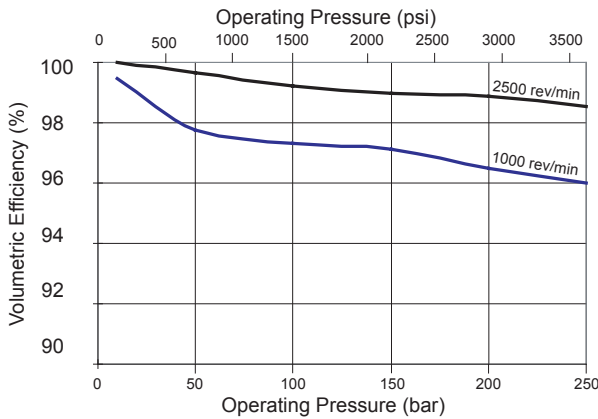
QS4 SERIES



Curves drawn for average pumps at 50°C (120°F) - fluid viscosity 23 mm²/sec (110 SSU).

QR4/QS4 EFFICIENCIES, NOISE LEVELS, MOMENTS OF INERTIA

PUMP EFFICIENCIES

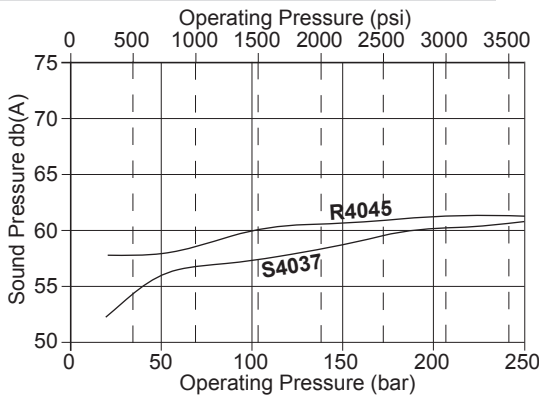


All Q Series pumps share very high efficiencies. The graph shows typical QS4 volumetric efficiency curves at 1000 and 2500 rev/min.

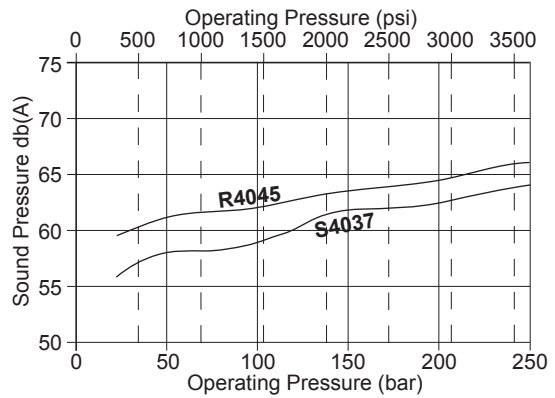
NOISE LEVELS

As described on Page 6, the reduction of noise levels was a major factor in the development of the Q Series pumps. The following graphs show QR4 and QS4 sound pressure levels at one metre from the pump obtained in accordance with ISO 9614-4.

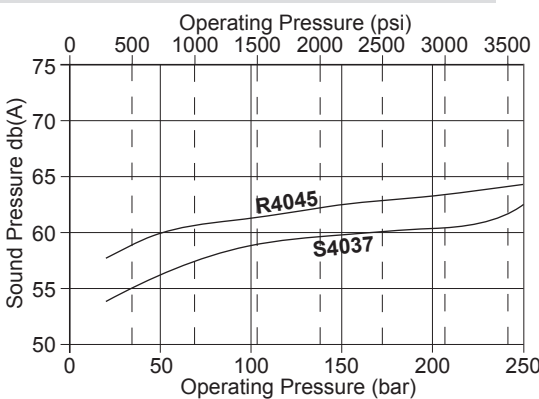
Q4 Sound Pressure at 1 metre - 1000 rpm



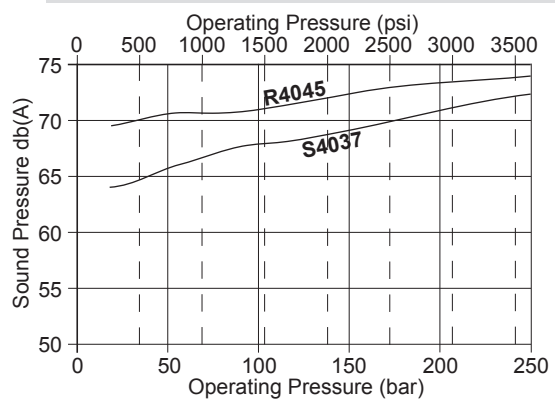
Q4 Sound Pressure at 1 metre - 1500 rpm



Q4 Sound Pressure at 1 metre - 1800 rpm



Q4 Sound Pressure at 1 metre - 2500 rpm



MOMENTS OF INERTIA

QR4 SERIES

PUMP SIZE		R4016	R4019	R4023	R4027	R4032	R4038	R4045	R4053	R4060
Moment of Inertia	kg cm ² (lb in ²)	1.42 (.48)	1.61 (.55)	1.70 (.58)	1.86 (.63)	2.06 (.70)	2.30 (.78)	2.59 (.88)	2.91 (.99)	3.19 (1.09)

QS4 SERIES

PUMP SIZE		S4016	R4023	R4027	R4032	R4037	R4042
Moment of Inertia	kg cm ² (lb in ²)	2.05 (.70)	2.41 (.82)	2.63 (.90)	2.91 (.99)	3.18 (1.08)	3.46 (1.18)

QR4/QS4 SHAFT SEALS AND DRIVE SHAFTS

SHAFT SEALS

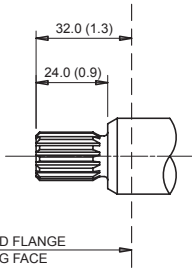
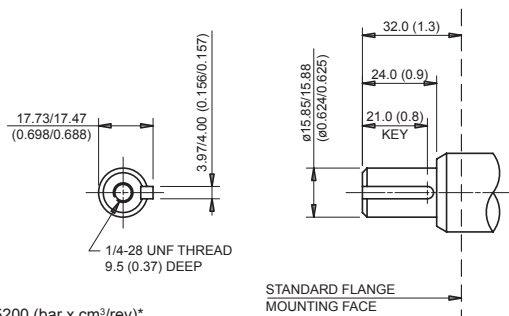
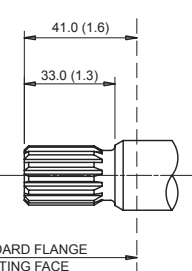
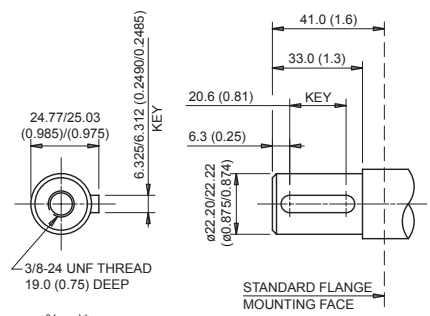
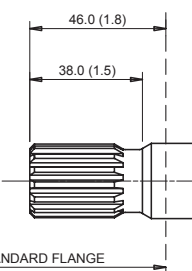
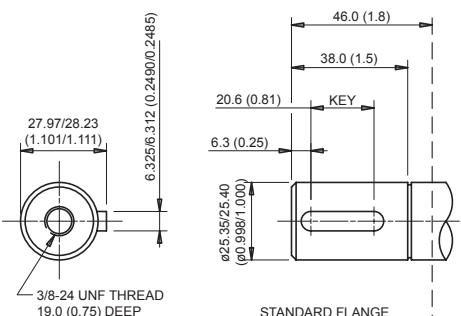
Code **A** Shaft seal and wiper for external drives

Example R1**A**4016A11A1D1AA

Code **C** Shaft seal, wiper and seal with tell-tale hole for torque converter and gearbox drives. The tell-tale hole indicates leakage before mixing of fluids can occur.

Example R1**C**4016A11A1D1AA

DRIVE SHAFTS

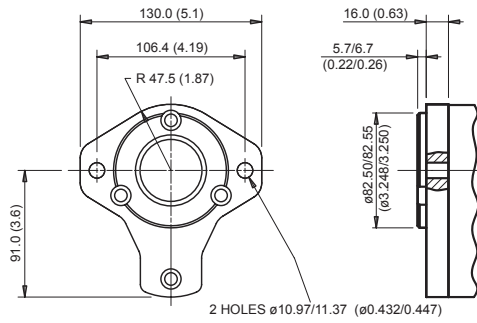
<p>Code A SAE 16-4 (A) 5/8" spline <i>Example</i> R1A4016A11A1D1AA</p> <p>INVOLUTE SPLINE 9 TEETH 16/32 DP FLAT ROOT SIDE FIT 30° PRESSURE ANGLE MAJOR DIA: 15.44/15.34 (0.608/0.604)</p>  <p>p x D = 5200 (bar x cm³/rev)* p x D = 4600 (psi x cu.in/rev)*</p>	<p>Code E SAE 16-1 (A) 5/8" parallel <i>Example</i> R1A4016E11A1D1AA</p>  <p>p x D = 5200 (bar x cm³/rev)* p x D = 4600 (psi x cu.in/rev)*</p>
<p>Code B SAE 22-4 (B) 7/8" spline <i>Example</i> R1A4016B11A1D1AA</p> <p>INVOLUTE SPLINE 13 TEETH 16/32 DP FLAT ROOT SIDE FIT 30° PRESSURE ANGLE MAJOR DIA: 21.79/21.69 (0.858/0.854)</p>  <p>p x D = 14226 (bar x cm³/rev)* p x D = 12590 (psi x cu.in/rev)*</p>	<p>Code F SAE 22-1 (B) 7/8" parallel <i>Example</i> R1A4016F11A1D1AA</p>  <p>p x D = 14226 (bar x cm³/rev)* p x D = 12590 (psi x cu.in/rev)*</p>
<p>Code Q SAE 25-4 (BB) 1" spline <i>Example</i> R1A4016Q11A1D1AA</p> <p>INVOLUTE SPLINE 15 TEETH 16/32 DP FLAT ROOT SIDE FIT 30° PRESSURE ANGLE MAJOR DIA: 24.97/24.87 (0.983/0.979)</p>  <p>p x D = 22450 (bar x cm³/rev)* p x D = 19869 (psi x cu.in/rev)*</p>	<p>Code H SAE 25-1 (BB) 1" parallel <i>Example</i> R1A4016H11A1D1AA</p>  <p>p x D = 22450 (bar x cm³/rev)* p x D = 19869 (psi x cu.in/rev)*</p>

* p = pressure, D = displacement. The stated values must not be exceeded.

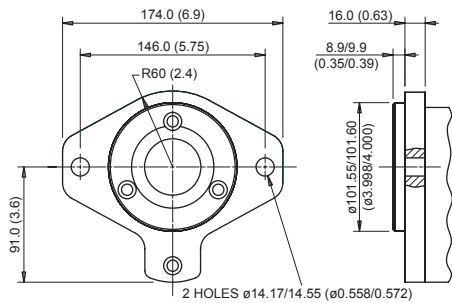
Note: For multiple pumps the sum of the p x D values must not exceed the stated value. See Page 38.

QR4/QS4 MOUNTING FLANGES

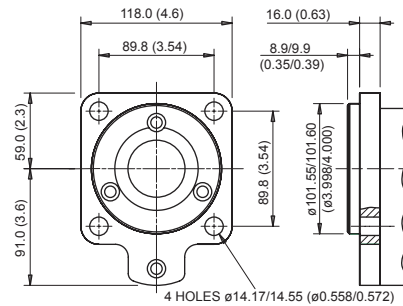
Code **1** SAE 82-2 (A - 2 bolt)
 Example R1A4016A**1**1A1D1AA



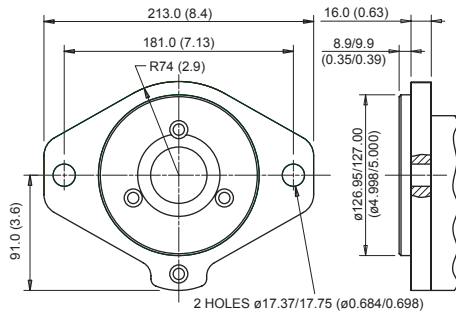
Code **2** SAE 101-2 (B - 2 bolt)
 Example R1A4016B**2**1A1D1AA



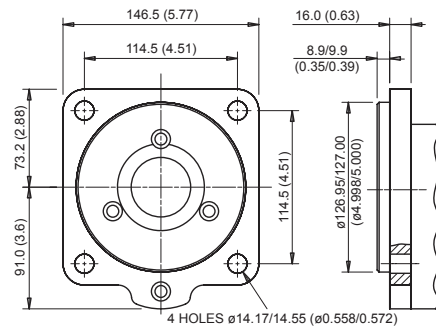
Code **3** SAE 101-4 (B - 4 bolt)
 Example R1A4016A**3**1A1D1AA



Code **4** SAE 127-2 (C - 2 bolt)
 Example R1A4016A**4**1A1D1AA



Code **5** SAE 127-4 (C - 4 bolt)
 Example R1A4016A**5**1A1D1AA



QR4/QS4 PORT POSITIONS & TYPES, SAE FLANGE DETAILS

NUMBER OF PUMP SECTIONS AND INLET PORT POSITIONS

Code **A**

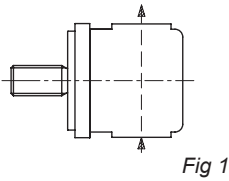


Fig 1

Code **C**

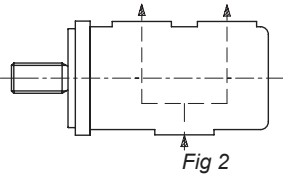


Fig 2

Code **B**

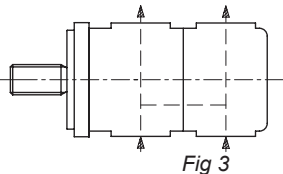


Fig 3

Code **A**

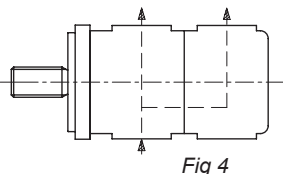
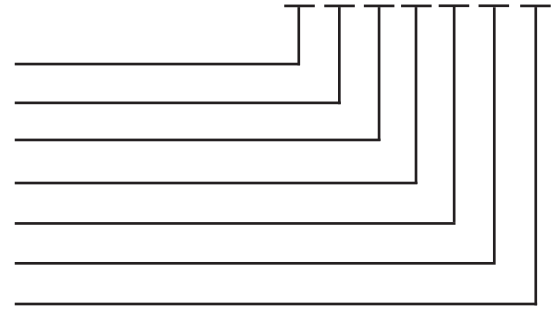


Fig 4

SINGLE PUMP Example

R 1 A 4 0 2 7 B 5 1 A 1 F 1 B C

- Number of pump sections
- Inlet port position - see fig 1
- Inlet port type - see table 1
- Inlet port size - see table 1
- Outlet port type - see table 2
- Outlet port size - see table 2
- Rotation - viewed from shaft

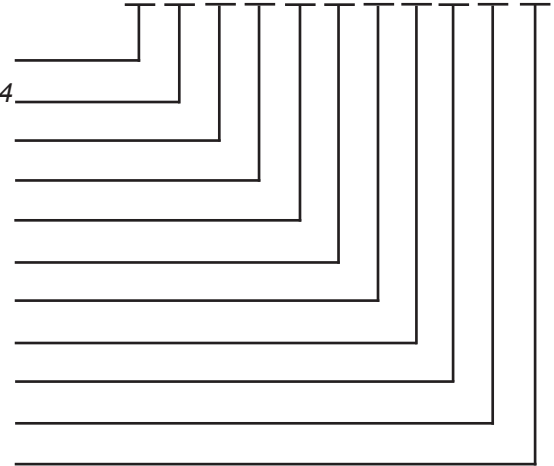


A = anti-clockwise
C = clockwise

MULTI PUMP Example

R 1 A 4 0 2 7 S 4 0 2 7 Q 5 2 B 1 H 3 B 1 F 3 B C

- Number of pump sections
- Inlet port position - see figs 2, 3 or 4
- 1st Inlet port type - see table 1
- 1st Inlet port size - see table 1
- 1st Outlet port type - see table 2
- 1st Outlet port size - see table 2
- 2nd Inlet port type - see table 1
- 2nd Inlet port size - see table 1
- 2nd Outlet port type - see table 2
- 2nd Outlet port size - see table 2
- Rotation - viewed from shaft



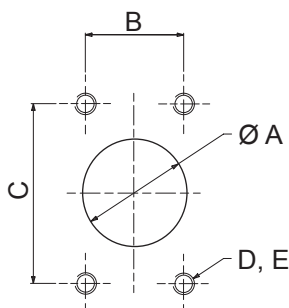
A = anti-clockwise
C = clockwise

MULTIPLE PUMPS - Please consult your David Brown Hydraulics' representative.

SAE FLANGE PORT DETAILS

SAE code 61.

Standard pressure series



SAE FLANGE SIZE	A mm (in)	B mm (in)	C mm (in)	D	E DEPTH mm (in)
1/2" (A)	12.7	17.48	38.10	M8 x 1.25	24.0
	(0.500)	(0.688)	(1.500)	5/16"-18 UNC	(0.95)
3/4" (B)	19.1	22.23	47.63	M10 x 1.5	22.4
	(0.750)	(0.875)	(1.875)	3/8"-16 UNC	(0.88)
1" (D)	25.4	26.19	52.37	M10 x 1.5	22.4
	(1.000)	(1.031)	(2.062)	3/8"-16 UNC	(0.88)
1.1/4" (F)	31.8	30.18	58.72	M10 x 1.5	28.4
	(1.250)	(1.188)	(2.312)	7/16"-14 UNC	(1.12)
1.1/2" (H)	38.1	35.71	69.85	M12 x 1.75	26.9
	(1.500)	(1.406)	(2.750)	1/2"-13 UNC	(1.06)
2" (K)	50.8	42.88	77.77	M12 x 1.75	26.9
	(2.000)	(1.688)	(3.062)	1/2"-13 UNC	(1.06)

QR4/QS4 PORT OPTIONS

INLET PORT OPTIONS - Table 1

Port Type	SINGLE PUMP INLET PORT OPTIONS										COMMON INLET PORT OPTIONS								DUAL INLET PORT OPTION					
Port Type Code	3		1			2			4		1				2				1			2		
Port Type	BSPP		SAE Flange Metric			SAE Flange UNC			UNF O-ring		SAE Flange Metric				SAE Flange UNC				SAE Flange Metric			SAE Flange UNC		
Port Size Code	D	F	D	F	H	D	F	H	G	J	D	F	H	K	D	F	H	K	F	H	K	F	H	K
Port Size	1	1.1/4	1	1.1/4	1.1/2	1	1.1/4	1.1/2	1.5/16	1.5/8	1	1.1/4	1.1/2	2	1	1.1/4	1.1/2	2	1.1/4	1.1/2	2	1.1/4	1.1/2	2
R4016	■	□	■	□	□	■	□	□	■	□	□	□	■		□	□	■		□	□	■	□	□	■
R4019	■	□	■	□	□	■	□	□	■	□	□	□	■		□	□	■		□	□	■	□	□	■
R4023	■	□	■	□	□	■	□	□	■	□	□	□	■		□	□	■		□	□	■	□	□	■
R4027	□	■	□	■	□	□	■	□	□	■	□	□	■		□	□	■		□	□	■	□	□	■
R4032	□	■	□	■	□	□	■	□	□	■	□	□	■		□	□	■		□	□	■	□	□	■
R4038			□	■	□	□	■	□	□	■	□	□	■		□	□	■		□	□	■	□	□	■
R4045			□	□	■	□	□	■			□	□	■		□	□	■		□	□	■	□	□	■
R4053			□	□	■	□	□	■			□	□	■		□	□	■		□	□	■	□	□	■
R4060			□	□	■	□	□	■			□	□	■		□	□	■		□	□	■	□	□	■
S4016	■	□	■	□	□	■	□	□	■	□	□	□	■		□	□	■		□	□	■	□	□	■
S4023	■	□	■	□	□	■	□	□	■	□	□	□	■		□	□	■		□	□	■	□	□	■
S4027	□	■	□	■	□	□	■	□	□	■	□	□	■		□	□	■		□	□	■	□	□	■
S4032	□	■	□	■	□	□	■	□	□	■	□	□	■		□	□	■		□	□	■	□	□	■
S4037	□	■	□	■	□	□	■	□	□	■	□	□	■		□	□	■		□	□	■	□	□	■
S4042			□	□	■	□	□	■			□	□	■		□	□	■		□	□	■	□	□	■

- Preferred port size
- Non-preferred port size

Note: When coding, for single inlet multiple pumps, use '0' in '2nd inlet port type' and 'X' in '2nd inlet port size' in the model number.

OUTLET PORT OPTIONS - Table 2

Port Type Code	3				1			2			4			
Port Type	BSPP				SAE Flange Metric			SAE Flange UNC			UNF O-ring			
Port Size Code	A	B	D	F	A	B	D	A	B	D	C	E	G	J
Port Size	1/2	3/4	1	1.1/4	1/2	3/4	1	1/2	3/4	1	7/8	1.1/16	1.5/16	1.5/8
R4016	■	□	□	□	■	□	□	■	□	□	■	□	□	□
R4019	■	□	□	□	■	□	□	■	□	□	■	□	□	□
R4023	■	□	□	□	■	□	□	■	□	□	■	□	□	□
R4027	□	■	□	□	□	■	□	□	■	□	□	■	□	□
R4032	□	■	□	□	□	■	□	□	■	□	□	■	□	□
R4038	□	■	□	□	□	■	□	□	■	□	□	■	□	□
R4045	□	■	□	□	□	■	□	□	■	□	□	■	□	□
R4053	□	■	□	□	□	■	□	□	■	□	□	■	□	□
R4060	□	■	□	□	□	■	□	□	■	□	□	■	□	□
S4016	■	□	□	□	■	□	□	■	□	□	■	□	□	□
S4023	■	□	□	□	■	□	□	■	□	□	■	□	□	□
S4027	□	■	□	□	□	■	□	□	■	□	□	■	□	□
S4032	□	■	□	□	□	■	□	□	■	□	□	■	□	□
S4037	□	■	□	□	□	■	□	□	■	□	□	■	□	□
S4042	□	■	□	□	□	■	□	□	■	□	□	■	□	□

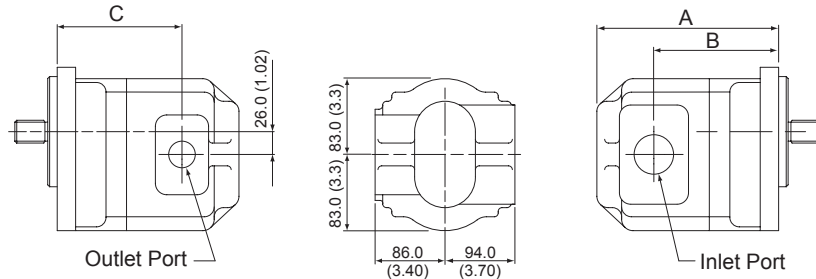
- Preferred port size
- Non-preferred port size

QR5/QS5 DIMENSIONAL DATA

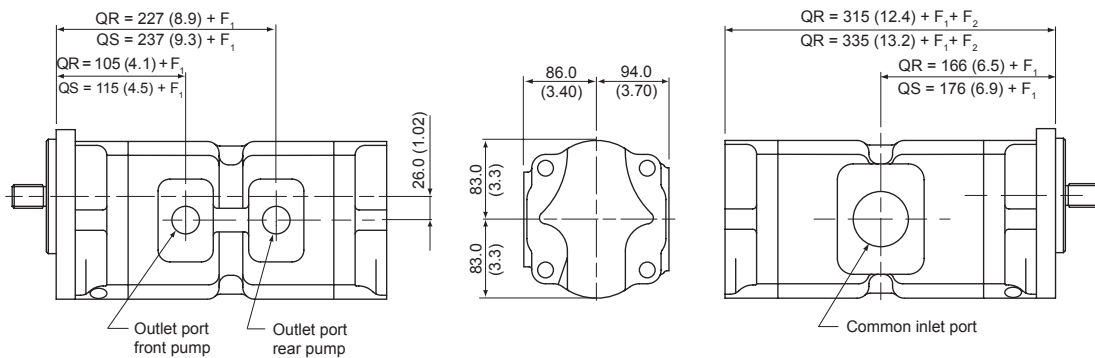
Note Drawings show clockwise rotation pumps. For anti-clockwise rotation pumps reverse the inlet and outlet port positions. (Rotation convention - view from pump shaft end).

Full detailed dimensions are shown on the relevant pages covering drive shafts, mounting flanges and ports.

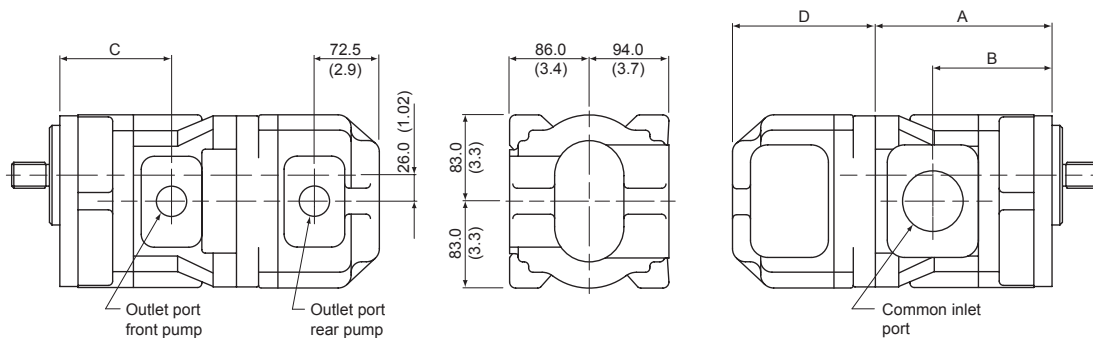
SINGLE PUMPS - standard ports Code **A** Example R1A5045B21 **A** 1H1DC



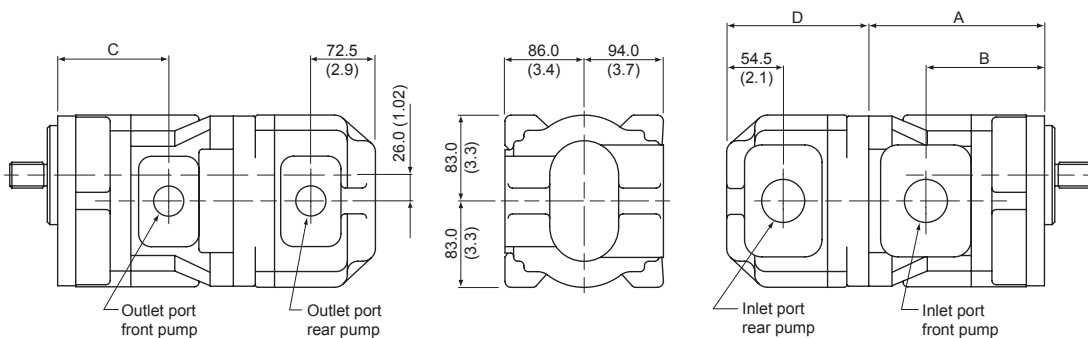
DUAL PUMPS - 1 inlet/2 outlets Code **C** Example R1A5045R5045B22 **C** 1L1D0X1DC



DOUBLE PUMPS - 1 inlet/2 outlets Code **A** Example R1A5045R5045B22 **A** 1L1D0X1DC



DOUBLE PUMPS - 2 inlets/2 outlets Code **B** Example R1A5045R5045B22 **B** 1H1D1H1DC



TRIPLE AND QUADRUPLE PUMPS - See Pages 38 and 39.

QR5/QS5 DIMENSIONAL DATA

PUMP	A	B	C	D	F1 Front Pump mm (in)	F2 Rear Pump mm (in)	WEIGHT kg (lb)		
	mm (in)	mm (in)	mm (in)	mm (in)	mm (in)	mm (in)	Single*	Front*	Rear*
R5045	178.0 (7.00)	123.0 (4.84)	105.0 (4.13)	144.0 (5.67)	0	0	19.7 (43.3)	23.2 (51.9)	17.2 (37.8)
R5053	182.0 (7.16)	127.0 (5.00)	109.0 (4.29)	148.0 (5.83)	4.0 (0.16)	4.0 (0.16)	20.8 (45.8)	24.3 (53.5)	18.3 (40.3)
R5063	187.0 (7.36)	133.0 (5.24)	115.0 (4.53)	154.0 (6.06)	10.0 (0.39)	10.0 (0.39)	21.7 (47.7)	25.2 (55.4)	19.2 (42.2)
R5073	193.0 (7.60)	138.0 (5.43)	120.0 (4.72)	159.0 (6.26)	15.0 (0.59)	15.0 (0.59)	22.5 (49.5)	26.0 (57.2)	20.0 (44.0)
R5085	199.0 (7.83)	145.0 (5.71)	127.0 (5.00)	166.0 (6.53)	22.0 (0.87)	22.0 (0.87)	23.5 (51.7)	27.0 (59.4)	21.0 (46.2)
R5100	207.0 (8.15)	153.0 (6.02)	135.0 (5.31)	174.0 (6.85)	30.0 (1.18)	30.0 (1.18)	25.0 (55.0)	28.5 (62.7)	22.5 (49.5)
R5120	218.0 (8.58)	164.0 (6.46)	146.0 (5.75)	185.0 (7.28)	40.0 (1.57)	40.0 (1.57)	26.5 (58.3)	30.0 (66.0)	24.0 (52.8)
S5045	188.0 (7.40)	133.0 (5.24)	115.0 (4.53)	154.0 (6.06)	0	0	24.0 (53.0)	27.5 (60.5)	21.5 (47.3)
S5051	192.0 (7.56)	138.0 (5.43)	120.0 (4.72)	159.0 (6.26)	5.0 (0.20)	5.0 (0.20)	24.5 (54.0)	28.0 (61.6)	22.0 (48.4)
S5060	199.0 (7.83)	145.0 (5.71)	127.0 (5.00)	166.0 (6.53)	12.0 (0.47)	12.0 (0.47)	25.0 (55.0)	28.5 (62.7)	22.5 (49.5)
S5070	207.0 (8.15)	152.0 (5.98)	134.0 (5.28)	173.0 (6.81)	20.0 (0.79)	20.0 (0.79)	25.5 (26.0)	29.0 (63.8)	23.0 (50.6)
S5085	218.0 (8.58)	164.0 (6.50)	146.0 (5.75)	185.0 (7.28)	31.0 (1.22)	31.0 (1.22)	26.8 (59.0)	30.3 (66.7)	24.3 (50.0)

*** Note**

Weights are approximate

Double pump weight

=

(front + rear) weights

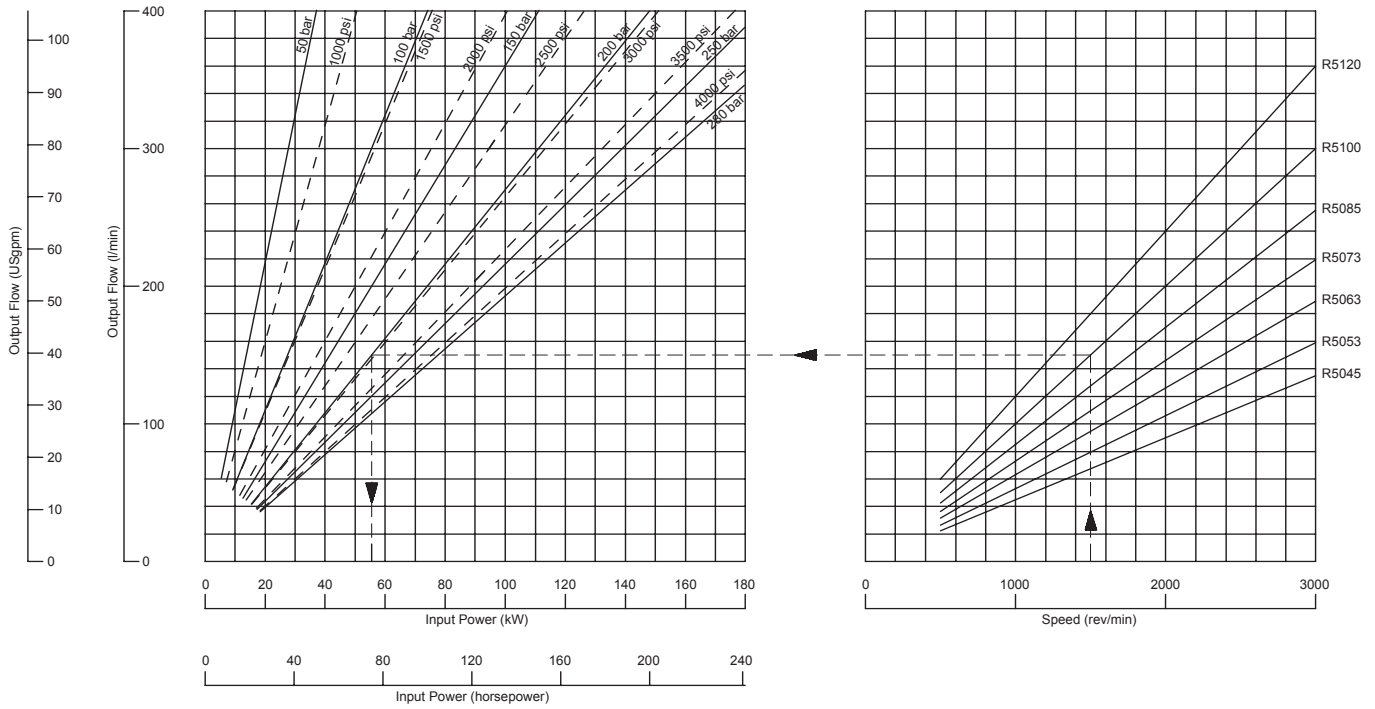
Dual pump weight

=

(front + rear) weights - 6 kg (13 lb)

QR5/QS5 PERFORMANCE DATA

QR5 SERIES

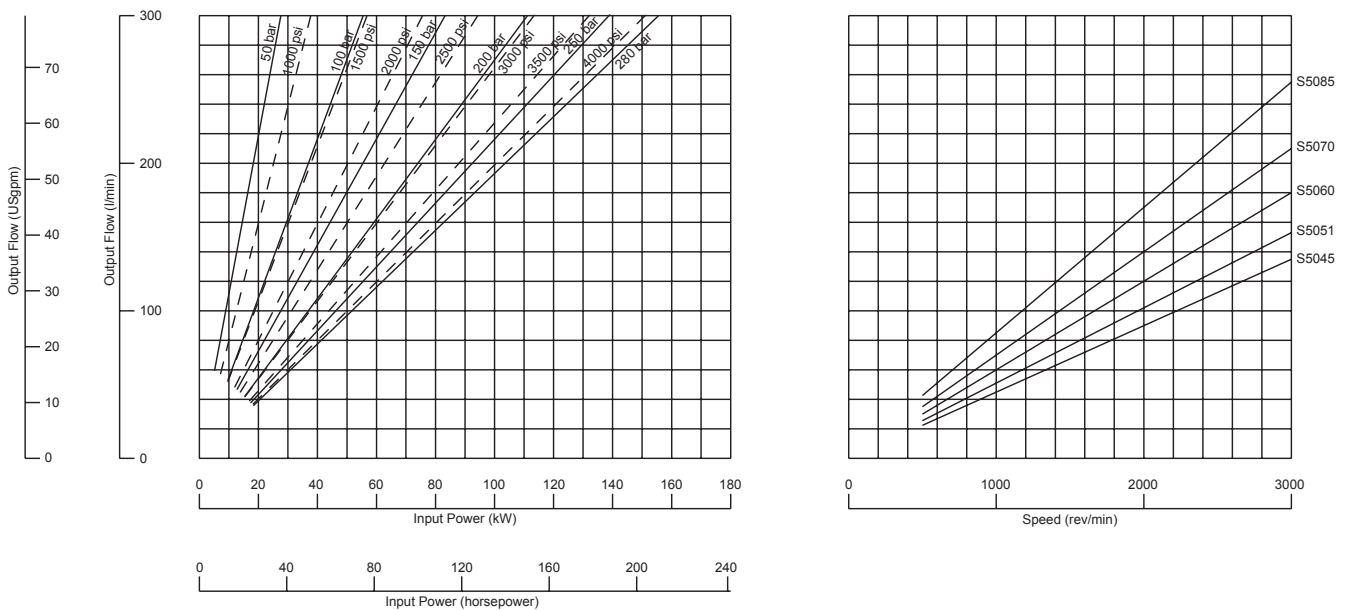


OUTPUT FLOWS are theoretical. Generally volumetric efficiencies are in excess of 95%. Your David Brown Hydraulics representative will advise for specific conditions.

INPUT POWERS are actual, taking into account average efficiencies. Please consult your David Brown Hydraulics representative when output pressure is less than 50 bar.

Example R5100 at 1500 rev/min gives output flow of 150 l/min (39.6 US gal/min) and requires 56 kW (75 hp) to drive it at 200 bar (2900 psi).

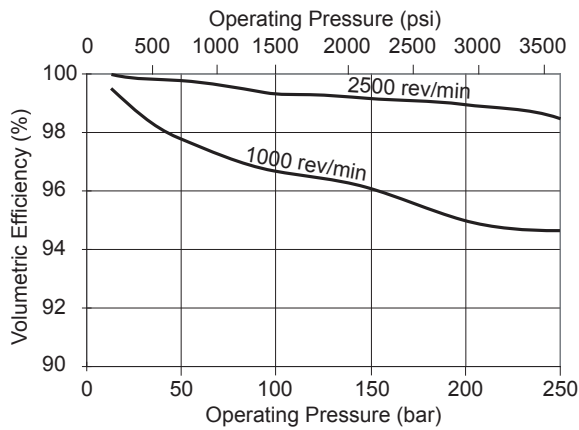
QS5 SERIES



Curves drawn for average pumps at 50°C (120°F) - fluid viscosity 23 mm²/sec (110 SSU).

QR5/QS5 EFFICIENCIES, NOISE LEVELS, MOMENTS OF INERTIA

PUMP EFFICIENCIES

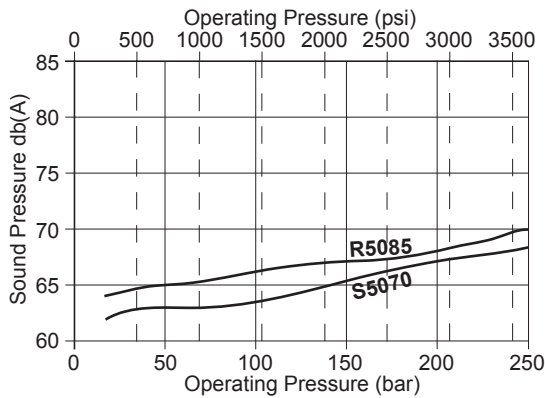


All Q Series pumps share very high efficiencies. The graph shows typical QS5 volumetric efficiency curves at 1000 and 2500 rev/min.

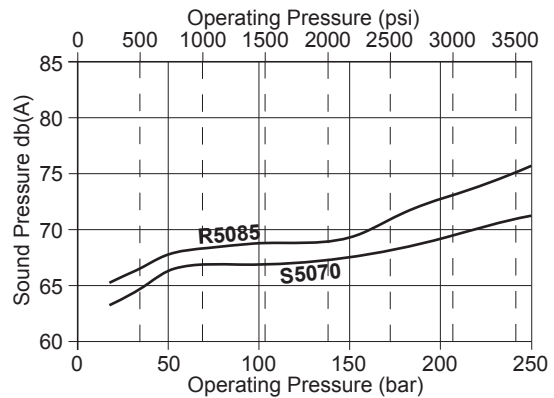
NOISE LEVELS

As described on Page 6, the reduction of noise levels was a major factor in the development of the Q Series pumps. The following graphs show QR5 and QS5 sound pressure levels at one metre from the pump obtained in accordance with ISO 9614-4.

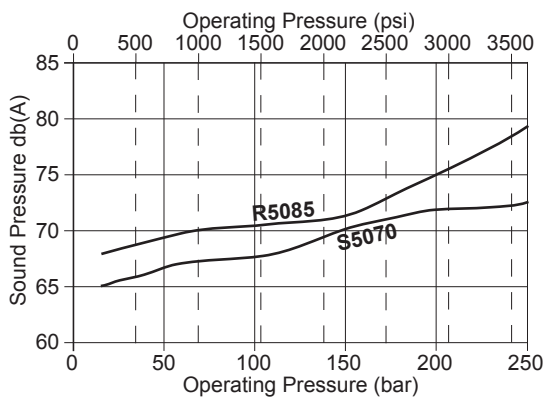
Q5 Sound Pressure at 1 metre - 1000 rpm



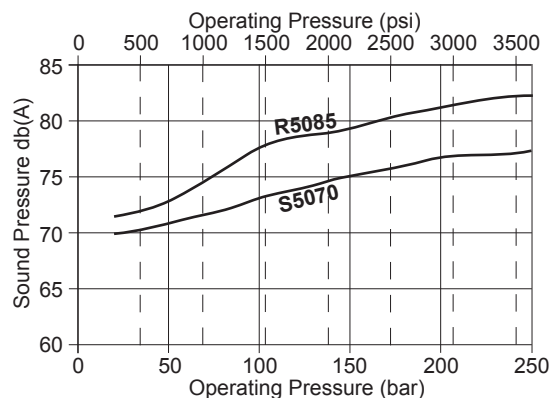
Q5 Sound Pressure at 1 metre - 1500 rpm



Q5 Sound Pressure at 1 metre - 1800 rpm



Q5 Sound Pressure at 1 metre - 2500 rpm



MOMENTS OF INERTIA

QR5 SERIES

PUMP SIZE		R5045	R5053	R5063	R5073	R5085	R5100	R5120
Moment of Inertia	kg cm ²	5.18	5.70	6.33	6.95	7.71	8.65	9.91
	(lb in ²)	(1.76)	(1.94)	(2.15)	(2.38)	(2.62)	(2.94)	(3.37)

QS5 SERIES

PUMP SIZE		S5045	S5051	S5060	S5070	S5085	S5100
Moment of Inertia	kg cm ²	7.18	7.68	8.44	9.28	10.54	12.40
	(lb in ²)	(2.44)	(2.61)	(2.87)	(3.15)	(3.58)	(4.22)

QR5/QS5 SHAFT SEALS AND DRIVE SHAFTS

SHAFT SEALS

Code **A** Shaft seal and wiper for external drives

Example R1**A**5045Q51A1H1DA

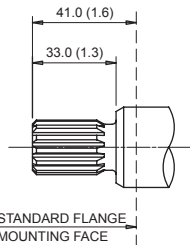
Code **C** Shaft seal, wiper and seal with tell-tale hole for torque converter and gearbox drives. The tell-tale hole indicates leakage before mixing of fluids can occur.

Example R1**C**5045H2A1H1DA

DRIVE SHAFTS

Code **B** SAE 22-4 (B) 7/8" spline
Example R1A5045**B**21A1H1DA

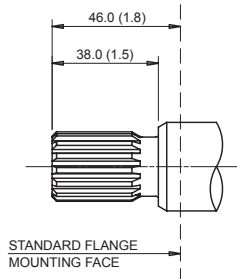
INVOLUTE SPLINE
 13 TEETH
 16/32 DP
 FLAT ROOT
 SIDE FIT
 30° PRESSURE ANGLE
 MAJOR DIA: 21.79/21.69 (0.858/0.854)



$p \times D = 14226$ (bar x m³/rev)*
 $p \times D = 12590$ (psi x u.in/rev)*

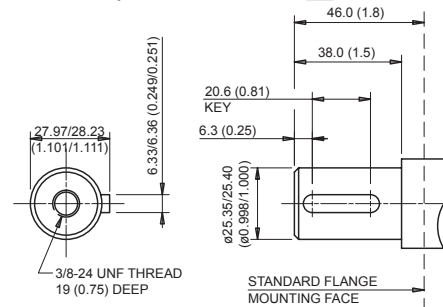
Code **Q** SAE 25-4 (BB) 1" spline
Example R1A5045**Q**21A1H1DA

INVOLUTE SPLINE
 15 TEETH
 16/32 DP
 FLAT ROOT
 SIDE FIT
 30° PRESSURE ANGLE
 MAJOR DIA: 24.97/24.87 (0.983/0.979)



$p \times D = 22450$ (bar x cm³/rev)*
 $p \times D = 19869$ (psi x cu.in/rev)*

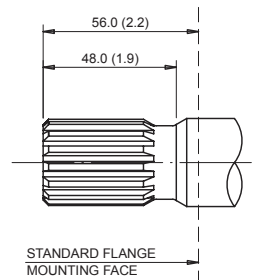
Code **H** SAE 25-1 (BB) 1" parallel
Example R1A5045**H**21A1H1DA



$p \times D = 22450$ (bar x cm³/rev)*
 $p \times D = 19869$ (psi x cu.in/rev)*

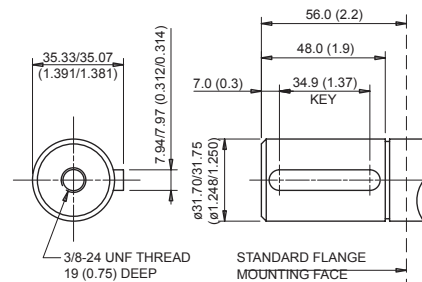
Code **C** SAE 32-4 (C) 1.1/4" spline
Example R1A5045**C**2A1H1DA

INVOLUTE SPLINE
 14 TEETH
 12/24 DP
 FLAT ROOT
 SIDE FIT
 30° PRESSURE ANGLE
 MAJOR DIA: 31.22/31.12 (1.229/1.225)



$p \times D = 45565$ (bar x cm³/rev)*
 $p \times D = 40325$ (psi x cu.in/rev)*

Code **G** SAE 32-1 (C) 1.1/4" parallel
Example R1A5045**G**21A1H1DA



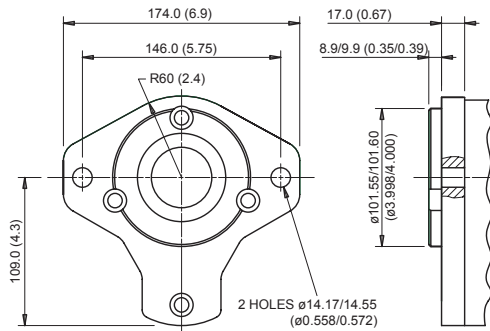
$p \times D = 45565$ (bar x cm³/rev)*
 $p \times D = 40325$ (psi x cu.in/rev)*

* p = pressure, D = displacement. The stated values must not be exceeded.

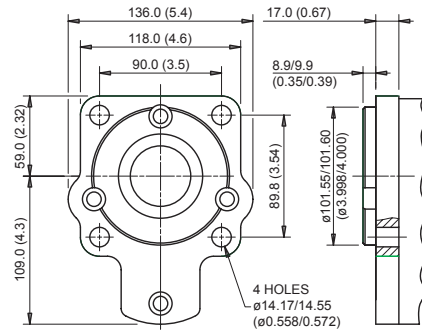
Note For multiple pumps the sum of the p x D values must not exceed the stated value. See Page 38.

QR5/QS5 MOUNTING FLANGES

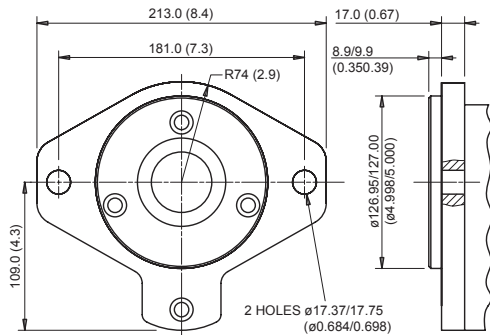
Code **2** SAE 101-2 (B - 2 bolt)
 Example R1A5045B**2**1A1H1DA



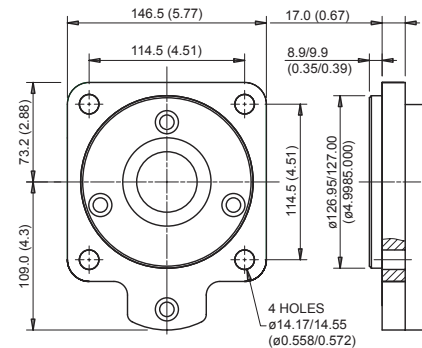
Code **3** SAE 101-4 (B - 4 bolt)
 Example R1A5045B**3**1A1H1DA



Code **4** SAE 127-2 (C - 2 bolt)
 Example R1A5045B**4**1A1H1DA



Code **5** SAE 127-4 (C - 4 bolt)
 Example R1A5045B**5**1A1H1DA



QR5/QS5 PORT POSITIONS & TYPES, SAE FLANGE DETAILS

NUMBER OF PUMP SECTIONS AND INLET PORT POSITIONS

Code **A**

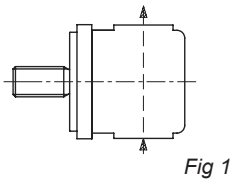


Fig 1

Code **C**

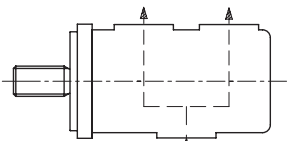


Fig 2

Code **B**

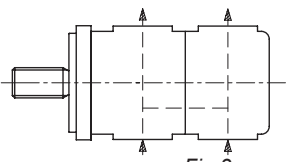


Fig 3

Code **A**

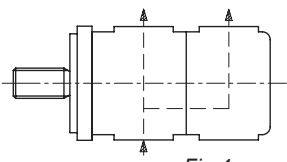
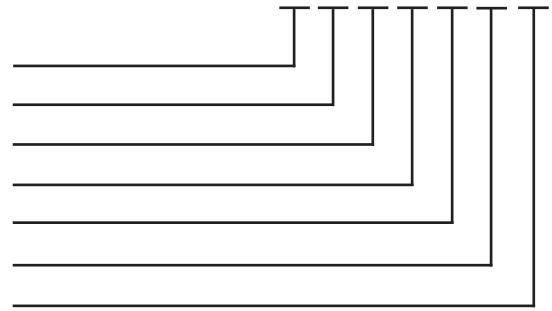


Fig 4

SINGLE PUMP Example

R 1 A 5 0 6 3 Q 5 1 A 1 H 1 D C

- Number of pump sections
- Inlet port position - see fig 1
- Inlet port type - see table 1
- Inlet port size - see table 1
- Outlet port type - see table 2
- Outlet port size - see table 2
- Rotation - viewed from shaft

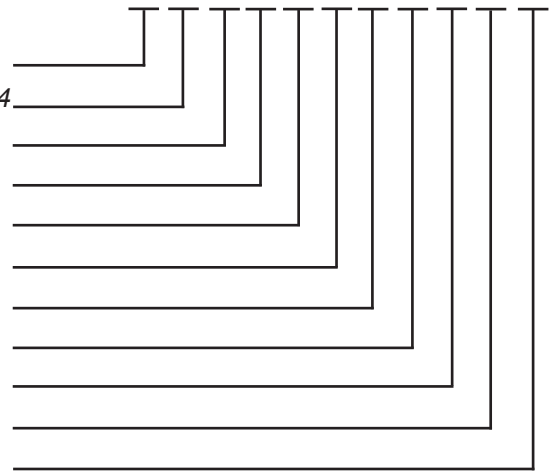


A = anti-clockwise
C = clockwise

MULTI PUMP (with single inlet port) Example

R 1 A 5 0 8 5 R 5 0 5 3 C 3 2 C 1 L 1 F 0 X 1 D C

- Number of pump sections
- Inlet port position - see figs 2, 3 or 4
- 1st Inlet port type - see table 1
- 1st Inlet port size - see table 1
- 1st Outlet port type - see table 2
- 1st Outlet port size - see table 2
- 2nd Inlet port type - see table 1
- 2nd Inlet port size - see table 1
- 2nd Outlet port type - see table 2
- 2nd Outlet port size - see table 2
- Rotation - viewed from shaft



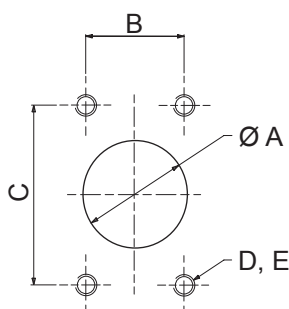
A = anti-clockwise
C = clockwise

MULTIPLE PUMPS - Please consult your David Brown Hydraulics' representative.

SAE FLANGE PORT DETAILS

SAE code 61.

Standard pressure series



SAE FLANGE SIZE	A mm (in)	B mm (in)	C mm (in)	D	CODE ¹ CODE ²	E DEPTH mm (in)
1" (D)	25.4	26.19	52.37	M10 x 1.5		22.4
	(1.00)	(1.031)	(2.062)	3/8"-16 UNC		(.88)
1.1/4" (F)	31.8	30.18	58.72	M10 x 1.5		28.4
	(1.25)	(1.188)	(2.312)	7/16"-14 UNC		(1.12)
1.1/2" (H)	38.1	35.71	69.85	M12 x 1.75		26.9
	(1.50)	(1.406)	(2.750)	1/2"-13 UNC		(1.06)
2" (K)	50.8	42.88	77.77	M12 x 1.75		26.9
	(2.00)	(1.688)	(3.062)	1/2"-13 UNC		(1.06)
2.1/2" (L)	63.5	50.8	88.90	M12 x 1.75		30.2
	(2.50)	(2.000)	(3.500)	1/2" 13 UNC		(1.19)

QR5/QS5 PORT OPTIONS

INLET PORT OPTIONS - Table 1

Port Type	SINGLE PUMP INLET PORT OPTIONS												COMMON INLET PORT OPTIONS					DUAL INLET PORT OPTION									
Port Type Code	1				2				4				1					2				1			2		
Port Type	SAE Flange Metric				SAE Flange UNC				UNF O-ring				SAE Flange Metric					SAE Flange UNC				SAE Flange Metric			SAE Flange UNC		
Port Size Code	D	F	H	K	D	F	H	K	C	E	G	J	D	F	H	K	L	D	H	K	L	H	K	L	H	K	L
Port Size	1	1.1/4	1.1/2	2	1	1.1/4	1.1/2	2	7/8	1.1/16	1.5/16	1.5/8	1	1.1/4	1.1/2	2	2.1/2	1	1.1/4	2	2.1/2	1.1/2	2	2.1/2	1.1/2	2	2.1/2
R5045	<input type="checkbox"/>	<input type="checkbox"/>	<input checked="" type="checkbox"/>	<input type="checkbox"/>	<input type="checkbox"/>	<input type="checkbox"/>	<input checked="" type="checkbox"/>	<input type="checkbox"/>	<input checked="" type="checkbox"/>	<input type="checkbox"/>	<input type="checkbox"/>	<input type="checkbox"/>	<input type="checkbox"/>	<input type="checkbox"/>	<input type="checkbox"/>	<input type="checkbox"/>	<input checked="" type="checkbox"/>	<input type="checkbox"/>	<input type="checkbox"/>	<input type="checkbox"/>	<input checked="" type="checkbox"/>	<input type="checkbox"/>	<input type="checkbox"/>	<input checked="" type="checkbox"/>	<input type="checkbox"/>	<input type="checkbox"/>	<input checked="" type="checkbox"/>
R5053	<input type="checkbox"/>	<input type="checkbox"/>	<input checked="" type="checkbox"/>	<input type="checkbox"/>	<input type="checkbox"/>	<input type="checkbox"/>	<input checked="" type="checkbox"/>	<input type="checkbox"/>	<input checked="" type="checkbox"/>	<input type="checkbox"/>	<input type="checkbox"/>	<input type="checkbox"/>	<input type="checkbox"/>	<input type="checkbox"/>	<input type="checkbox"/>	<input type="checkbox"/>	<input checked="" type="checkbox"/>	<input type="checkbox"/>	<input type="checkbox"/>	<input type="checkbox"/>	<input checked="" type="checkbox"/>	<input type="checkbox"/>	<input type="checkbox"/>	<input checked="" type="checkbox"/>	<input type="checkbox"/>	<input type="checkbox"/>	<input checked="" type="checkbox"/>
R5063	<input type="checkbox"/>	<input type="checkbox"/>	<input checked="" type="checkbox"/>	<input type="checkbox"/>	<input type="checkbox"/>	<input type="checkbox"/>	<input checked="" type="checkbox"/>	<input type="checkbox"/>	<input checked="" type="checkbox"/>	<input type="checkbox"/>	<input type="checkbox"/>	<input type="checkbox"/>	<input type="checkbox"/>	<input type="checkbox"/>	<input type="checkbox"/>	<input type="checkbox"/>	<input checked="" type="checkbox"/>	<input type="checkbox"/>	<input type="checkbox"/>	<input type="checkbox"/>	<input checked="" type="checkbox"/>	<input type="checkbox"/>	<input type="checkbox"/>	<input checked="" type="checkbox"/>	<input type="checkbox"/>	<input type="checkbox"/>	<input checked="" type="checkbox"/>
R5073	<input type="checkbox"/>	<input type="checkbox"/>	<input type="checkbox"/>	<input checked="" type="checkbox"/>	<input type="checkbox"/>	<input type="checkbox"/>	<input type="checkbox"/>	<input checked="" type="checkbox"/>	<input type="checkbox"/>	<input checked="" type="checkbox"/>	<input type="checkbox"/>	<input type="checkbox"/>	<input type="checkbox"/>	<input type="checkbox"/>	<input type="checkbox"/>	<input type="checkbox"/>	<input checked="" type="checkbox"/>	<input type="checkbox"/>	<input type="checkbox"/>	<input type="checkbox"/>	<input checked="" type="checkbox"/>	<input type="checkbox"/>	<input type="checkbox"/>	<input checked="" type="checkbox"/>	<input type="checkbox"/>	<input type="checkbox"/>	<input checked="" type="checkbox"/>
R5085	<input type="checkbox"/>	<input type="checkbox"/>	<input type="checkbox"/>	<input checked="" type="checkbox"/>	<input type="checkbox"/>	<input type="checkbox"/>	<input type="checkbox"/>	<input checked="" type="checkbox"/>	<input type="checkbox"/>	<input checked="" type="checkbox"/>	<input type="checkbox"/>	<input type="checkbox"/>	<input type="checkbox"/>	<input type="checkbox"/>	<input type="checkbox"/>	<input type="checkbox"/>	<input checked="" type="checkbox"/>	<input type="checkbox"/>	<input type="checkbox"/>	<input type="checkbox"/>	<input checked="" type="checkbox"/>	<input type="checkbox"/>	<input type="checkbox"/>	<input checked="" type="checkbox"/>	<input type="checkbox"/>	<input type="checkbox"/>	<input checked="" type="checkbox"/>
R5100	<input type="checkbox"/>	<input type="checkbox"/>	<input type="checkbox"/>	<input checked="" type="checkbox"/>	<input type="checkbox"/>	<input type="checkbox"/>	<input type="checkbox"/>	<input checked="" type="checkbox"/>	<input type="checkbox"/>	<input checked="" type="checkbox"/>	<input type="checkbox"/>	<input type="checkbox"/>	<input type="checkbox"/>	<input type="checkbox"/>	<input type="checkbox"/>	<input type="checkbox"/>	<input checked="" type="checkbox"/>	<input type="checkbox"/>	<input type="checkbox"/>	<input type="checkbox"/>	<input checked="" type="checkbox"/>	<input type="checkbox"/>	<input type="checkbox"/>	<input checked="" type="checkbox"/>	<input type="checkbox"/>	<input type="checkbox"/>	<input checked="" type="checkbox"/>
R5120	<input type="checkbox"/>	<input type="checkbox"/>	<input type="checkbox"/>	<input checked="" type="checkbox"/>	<input type="checkbox"/>	<input type="checkbox"/>	<input type="checkbox"/>	<input checked="" type="checkbox"/>	<input type="checkbox"/>	<input checked="" type="checkbox"/>	<input type="checkbox"/>	<input type="checkbox"/>	<input type="checkbox"/>	<input type="checkbox"/>	<input type="checkbox"/>	<input type="checkbox"/>	<input checked="" type="checkbox"/>	<input type="checkbox"/>	<input type="checkbox"/>	<input type="checkbox"/>	<input checked="" type="checkbox"/>	<input type="checkbox"/>	<input type="checkbox"/>	<input checked="" type="checkbox"/>	<input type="checkbox"/>	<input type="checkbox"/>	<input checked="" type="checkbox"/>
S5045	<input type="checkbox"/>	<input type="checkbox"/>	<input checked="" type="checkbox"/>	<input type="checkbox"/>	<input type="checkbox"/>	<input type="checkbox"/>	<input checked="" type="checkbox"/>	<input type="checkbox"/>	<input checked="" type="checkbox"/>	<input type="checkbox"/>	<input type="checkbox"/>	<input type="checkbox"/>	<input type="checkbox"/>	<input type="checkbox"/>	<input type="checkbox"/>	<input type="checkbox"/>	<input checked="" type="checkbox"/>	<input type="checkbox"/>	<input type="checkbox"/>	<input type="checkbox"/>	<input checked="" type="checkbox"/>	<input type="checkbox"/>	<input type="checkbox"/>	<input checked="" type="checkbox"/>	<input type="checkbox"/>	<input type="checkbox"/>	<input checked="" type="checkbox"/>
S5051	<input type="checkbox"/>	<input type="checkbox"/>	<input checked="" type="checkbox"/>	<input type="checkbox"/>	<input type="checkbox"/>	<input type="checkbox"/>	<input checked="" type="checkbox"/>	<input type="checkbox"/>	<input checked="" type="checkbox"/>	<input type="checkbox"/>	<input type="checkbox"/>	<input type="checkbox"/>	<input type="checkbox"/>	<input type="checkbox"/>	<input type="checkbox"/>	<input type="checkbox"/>	<input checked="" type="checkbox"/>	<input type="checkbox"/>	<input type="checkbox"/>	<input type="checkbox"/>	<input checked="" type="checkbox"/>	<input type="checkbox"/>	<input type="checkbox"/>	<input checked="" type="checkbox"/>	<input type="checkbox"/>	<input type="checkbox"/>	<input checked="" type="checkbox"/>
S5060	<input type="checkbox"/>	<input type="checkbox"/>	<input checked="" type="checkbox"/>	<input type="checkbox"/>	<input type="checkbox"/>	<input type="checkbox"/>	<input checked="" type="checkbox"/>	<input type="checkbox"/>	<input type="checkbox"/>	<input checked="" type="checkbox"/>	<input type="checkbox"/>	<input type="checkbox"/>	<input type="checkbox"/>	<input type="checkbox"/>	<input type="checkbox"/>	<input type="checkbox"/>	<input checked="" type="checkbox"/>	<input type="checkbox"/>	<input type="checkbox"/>	<input type="checkbox"/>	<input checked="" type="checkbox"/>	<input type="checkbox"/>	<input type="checkbox"/>	<input checked="" type="checkbox"/>	<input type="checkbox"/>	<input type="checkbox"/>	<input checked="" type="checkbox"/>
S5070	<input type="checkbox"/>	<input type="checkbox"/>	<input type="checkbox"/>	<input checked="" type="checkbox"/>	<input type="checkbox"/>	<input type="checkbox"/>	<input type="checkbox"/>	<input checked="" type="checkbox"/>	<input type="checkbox"/>	<input checked="" type="checkbox"/>	<input type="checkbox"/>	<input type="checkbox"/>	<input type="checkbox"/>	<input type="checkbox"/>	<input type="checkbox"/>	<input type="checkbox"/>	<input checked="" type="checkbox"/>	<input type="checkbox"/>	<input type="checkbox"/>	<input type="checkbox"/>	<input checked="" type="checkbox"/>	<input type="checkbox"/>	<input type="checkbox"/>	<input checked="" type="checkbox"/>	<input type="checkbox"/>	<input type="checkbox"/>	<input checked="" type="checkbox"/>
S5085	<input type="checkbox"/>	<input type="checkbox"/>	<input type="checkbox"/>	<input checked="" type="checkbox"/>	<input type="checkbox"/>	<input type="checkbox"/>	<input type="checkbox"/>	<input checked="" type="checkbox"/>	<input type="checkbox"/>	<input checked="" type="checkbox"/>	<input type="checkbox"/>	<input type="checkbox"/>	<input type="checkbox"/>	<input type="checkbox"/>	<input type="checkbox"/>	<input type="checkbox"/>	<input checked="" type="checkbox"/>	<input type="checkbox"/>	<input type="checkbox"/>	<input type="checkbox"/>	<input checked="" type="checkbox"/>	<input type="checkbox"/>	<input type="checkbox"/>	<input checked="" type="checkbox"/>	<input type="checkbox"/>	<input type="checkbox"/>	<input checked="" type="checkbox"/>

- Preferred port size
- Non-preferred port size

Note: When coding, for single inlet multiple pumps, use '0' in '2nd inlet port type' and 'X' in '2nd inlet port size' in the model number.

OUTLET PORT OPTIONS - Table 2

Port Type Code	3				1				2				4			
Port Type	BSPP				SAE Flange Metric				SAE Flange UNC				UNF O-ring			
Port Size Code	A	B	D	F	A	B	D	F	A	B	D	F	C	E	G	J
Port Size	1/2	3/4	1	1.1/4	1/2	3/4	1	1.1/4	1/2	3/4	1	1.1/4	7/8	1.1/16	1.5/16	1.5/8
R5045	<input type="checkbox"/>	<input type="checkbox"/>	<input checked="" type="checkbox"/>	<input type="checkbox"/>	<input type="checkbox"/>	<input type="checkbox"/>	<input checked="" type="checkbox"/>	<input type="checkbox"/>	<input type="checkbox"/>	<input type="checkbox"/>	<input checked="" type="checkbox"/>	<input type="checkbox"/>	<input type="checkbox"/>	<input type="checkbox"/>	<input checked="" type="checkbox"/>	<input type="checkbox"/>
R5053	<input type="checkbox"/>	<input type="checkbox"/>	<input checked="" type="checkbox"/>	<input type="checkbox"/>	<input type="checkbox"/>	<input type="checkbox"/>	<input checked="" type="checkbox"/>	<input type="checkbox"/>	<input type="checkbox"/>	<input type="checkbox"/>	<input checked="" type="checkbox"/>	<input type="checkbox"/>	<input type="checkbox"/>	<input type="checkbox"/>	<input checked="" type="checkbox"/>	<input type="checkbox"/>
R5063	<input type="checkbox"/>	<input type="checkbox"/>	<input checked="" type="checkbox"/>	<input type="checkbox"/>	<input type="checkbox"/>	<input type="checkbox"/>	<input checked="" type="checkbox"/>	<input type="checkbox"/>	<input type="checkbox"/>	<input type="checkbox"/>	<input checked="" type="checkbox"/>	<input type="checkbox"/>	<input type="checkbox"/>	<input type="checkbox"/>	<input checked="" type="checkbox"/>	<input type="checkbox"/>
R5073	<input type="checkbox"/>	<input type="checkbox"/>	<input checked="" type="checkbox"/>	<input type="checkbox"/>	<input type="checkbox"/>	<input type="checkbox"/>	<input type="checkbox"/>	<input checked="" type="checkbox"/>	<input type="checkbox"/>	<input type="checkbox"/>	<input type="checkbox"/>	<input checked="" type="checkbox"/>	<input type="checkbox"/>	<input type="checkbox"/>	<input checked="" type="checkbox"/>	<input type="checkbox"/>
R5085	<input type="checkbox"/>	<input type="checkbox"/>	<input checked="" type="checkbox"/>	<input type="checkbox"/>	<input type="checkbox"/>	<input type="checkbox"/>	<input type="checkbox"/>	<input checked="" type="checkbox"/>	<input type="checkbox"/>	<input type="checkbox"/>	<input type="checkbox"/>	<input checked="" type="checkbox"/>	<input type="checkbox"/>	<input type="checkbox"/>	<input checked="" type="checkbox"/>	<input type="checkbox"/>
R5100	<input type="checkbox"/>	<input type="checkbox"/>	<input checked="" type="checkbox"/>	<input type="checkbox"/>	<input type="checkbox"/>	<input type="checkbox"/>	<input type="checkbox"/>	<input checked="" type="checkbox"/>	<input type="checkbox"/>	<input type="checkbox"/>	<input type="checkbox"/>	<input checked="" type="checkbox"/>	<input type="checkbox"/>	<input type="checkbox"/>	<input checked="" type="checkbox"/>	<input type="checkbox"/>
R5120	<input type="checkbox"/>	<input type="checkbox"/>	<input checked="" type="checkbox"/>	<input type="checkbox"/>	<input type="checkbox"/>	<input type="checkbox"/>	<input type="checkbox"/>	<input checked="" type="checkbox"/>	<input type="checkbox"/>	<input type="checkbox"/>	<input type="checkbox"/>	<input checked="" type="checkbox"/>	<input type="checkbox"/>	<input type="checkbox"/>	<input checked="" type="checkbox"/>	<input type="checkbox"/>
S5045	<input type="checkbox"/>	<input type="checkbox"/>	<input checked="" type="checkbox"/>	<input type="checkbox"/>	<input type="checkbox"/>	<input type="checkbox"/>	<input checked="" type="checkbox"/>	<input type="checkbox"/>	<input type="checkbox"/>	<input type="checkbox"/>	<input checked="" type="checkbox"/>	<input type="checkbox"/>	<input type="checkbox"/>	<input type="checkbox"/>	<input checked="" type="checkbox"/>	<input type="checkbox"/>
S5051	<input type="checkbox"/>	<input type="checkbox"/>	<input checked="" type="checkbox"/>	<input type="checkbox"/>	<input type="checkbox"/>	<input type="checkbox"/>	<input checked="" type="checkbox"/>	<input type="checkbox"/>	<input type="checkbox"/>	<input type="checkbox"/>	<input checked="" type="checkbox"/>	<input type="checkbox"/>	<input type="checkbox"/>	<input type="checkbox"/>	<input checked="" type="checkbox"/>	<input type="checkbox"/>
S5060	<input type="checkbox"/>	<input type="checkbox"/>	<input checked="" type="checkbox"/>	<input type="checkbox"/>	<input type="checkbox"/>	<input type="checkbox"/>	<input checked="" type="checkbox"/>	<input type="checkbox"/>	<input type="checkbox"/>	<input type="checkbox"/>	<input checked="" type="checkbox"/>	<input type="checkbox"/>	<input type="checkbox"/>	<input type="checkbox"/>	<input checked="" type="checkbox"/>	<input type="checkbox"/>
S5070	<input type="checkbox"/>	<input type="checkbox"/>	<input checked="" type="checkbox"/>	<input type="checkbox"/>	<input type="checkbox"/>	<input type="checkbox"/>	<input type="checkbox"/>	<input checked="" type="checkbox"/>	<input type="checkbox"/>	<input type="checkbox"/>	<input type="checkbox"/>	<input checked="" type="checkbox"/>	<input type="checkbox"/>	<input type="checkbox"/>	<input checked="" type="checkbox"/>	<input type="checkbox"/>
S5085	<input type="checkbox"/>	<input type="checkbox"/>	<input checked="" type="checkbox"/>	<input type="checkbox"/>	<input type="checkbox"/>	<input type="checkbox"/>	<input type="checkbox"/>	<input checked="" type="checkbox"/>	<input type="checkbox"/>	<input type="checkbox"/>	<input type="checkbox"/>	<input checked="" type="checkbox"/>	<input type="checkbox"/>	<input type="checkbox"/>	<input checked="" type="checkbox"/>	<input type="checkbox"/>

- Preferred port size
- Non-preferred port size

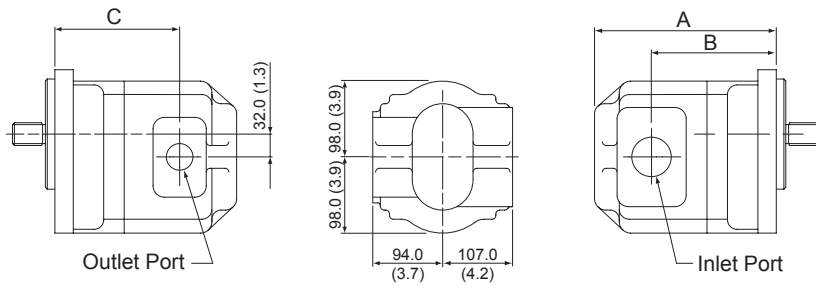
QR6/QS6 DIMENSIONAL DATA

Note Drawings show clockwise rotation pumps. For anti-clockwise rotation pumps reverse the inlet and outlet port positions. (Rotation convention - view from pump shaft end).

Full detailed dimensions are shown on the relevant pages covering drive shafts, mounting flanges and ports.

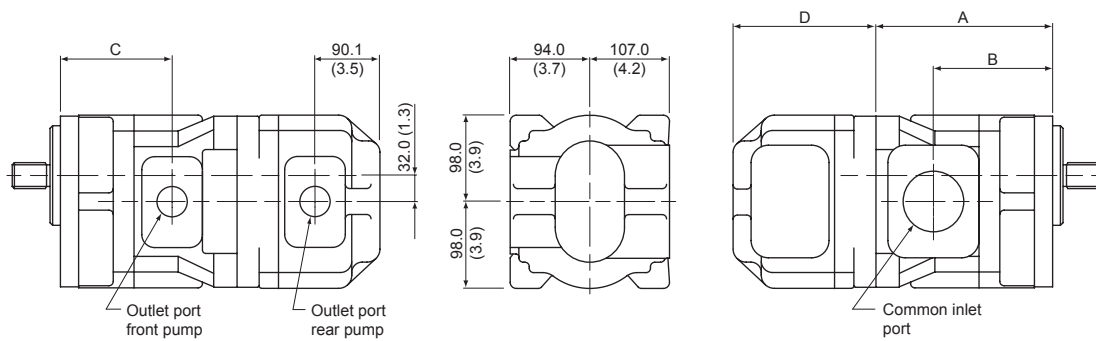
SINGLE PUMPS - standard ports Code **A**

Example R1A6100C41 **A** 1L1HC



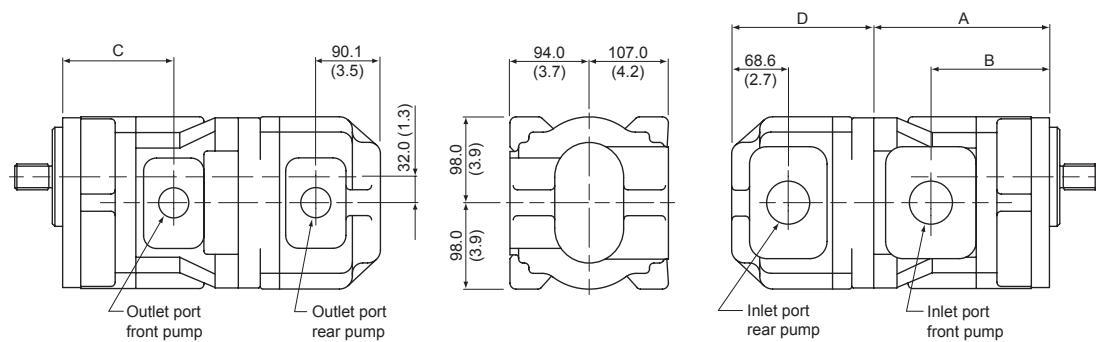
DOUBLE PUMPS - 1 inlet/2 outlets Code **A**

Example R1A6100R6100T42 **A** 1M1H0X1HC



DOUBLE PUMPS - 2 inlets/2 outlets Code **B**

Example R1A6100R6100T42 **B** 1L1H1L1HC



TRIPLE AND QUADRUPLE PUMPS - See Pages 38 and 39.

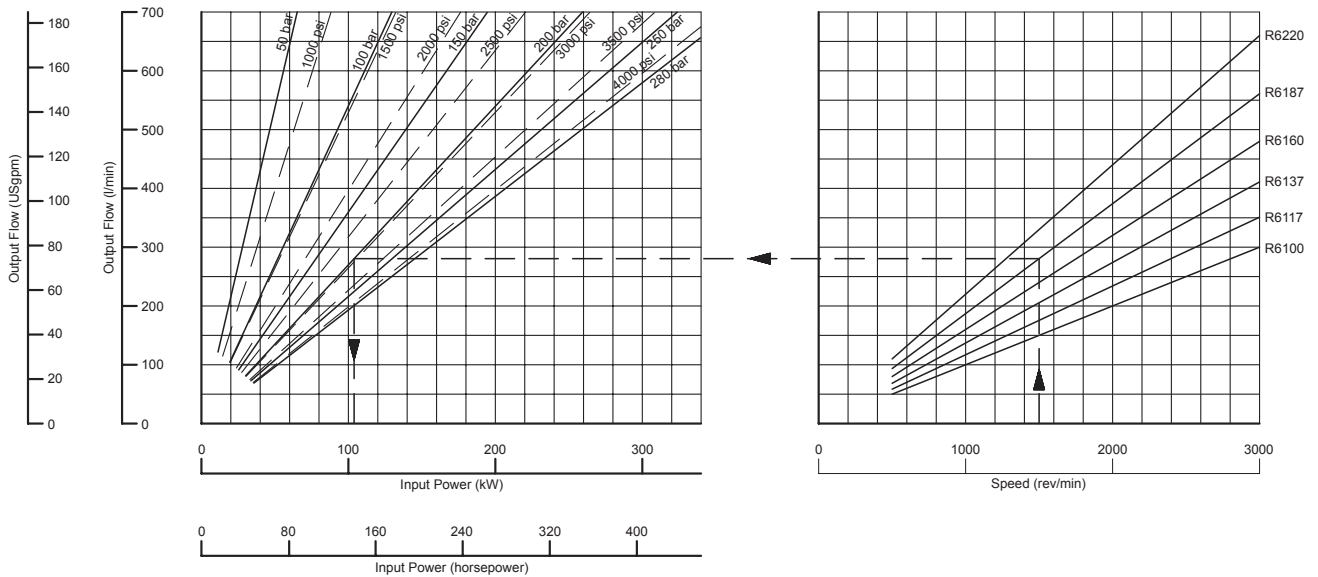
QR6/QS6 DIMENSIONAL DATA

PUMP	A	B	C	D	WEIGHT kg (lb)		
	mm (in)	mm (in)	mm (in)	mm (in)	Single*	Front*	Rear*
R6100	220.0 (8.66)	152.0 (5.98)	130.0 (5.12)	182.0 (7.16)	35.0 (77.0)	40.0 (88.0)	30.0 (66.0)
R6117	226.0 (8.90)	158.0 (6.22)	136.0 (5.35)	188.0 (7.40)	36.5 (80.0)	41.5 (91.0)	31.5 (69.0)
R6137	233.0 (9.17)	165.0 (6.50)	143.0 (5.63)	195.0 (7.68)	39.0 (86.0)	44.0 (97.0)	34.0 (75.0)
R6160	241.0 (9.49)	173.0 (6.81)	151.0 (5.94)	203.0 (7.99)	42.0 (92.0)	47.0 (103.0)	37.0 (81.0)
R6187	251.0 (9.88)	182.0 (7.16)	161.0 (6.34)	213.0 (8.38)	45.3 (100.0)	50.3 (111.0)	40.3 (89.0)
R6220	263.0 (10.35)	194.0 (7.64)	173.0 (6.81)	225.0 (8.86)	49.0 (108.0)	54.0 (119.0)	44.0 (97.0)
S6083	226.0 (8.90)	158.0 (6.22)	136.0 (5.35)	188.0 (7.40)	40.5 (39.0)	45.5 (100.0)	35.5 (77.0)
S6097	234.0 (9.21)	165.0 (6.50)	143.0 (5.63)	196.0 (7.72)	42.0 (92.0)	47.0 (103.0)	37.0 (87.0)
S6113	242.9 (9.56)	173.0 (6.81)	151.0 (5.94)	204.0 (8.03)	43.5 (96.0)	48.5 (107.0)	38.5 (85)
S6132	251.0 (9.88)	183.0 (7.20)	161.0 (6.34)	213.0 (8.39)	45.5 (100.0)	50.5 (111.0)	40.5 (89.0)
S6155	263.0 (10.35)	194.0 (7.64)	173.0 (6.81)	225.0 (8.86)	47.5 (105.0)	52.5 (116.0)	42.5 (94.0)

* **Note** Weights are approximate
Double pump weight = (front + rear) weights

QR6/QS6 PERFORMANCE DATA

QR6 SERIES

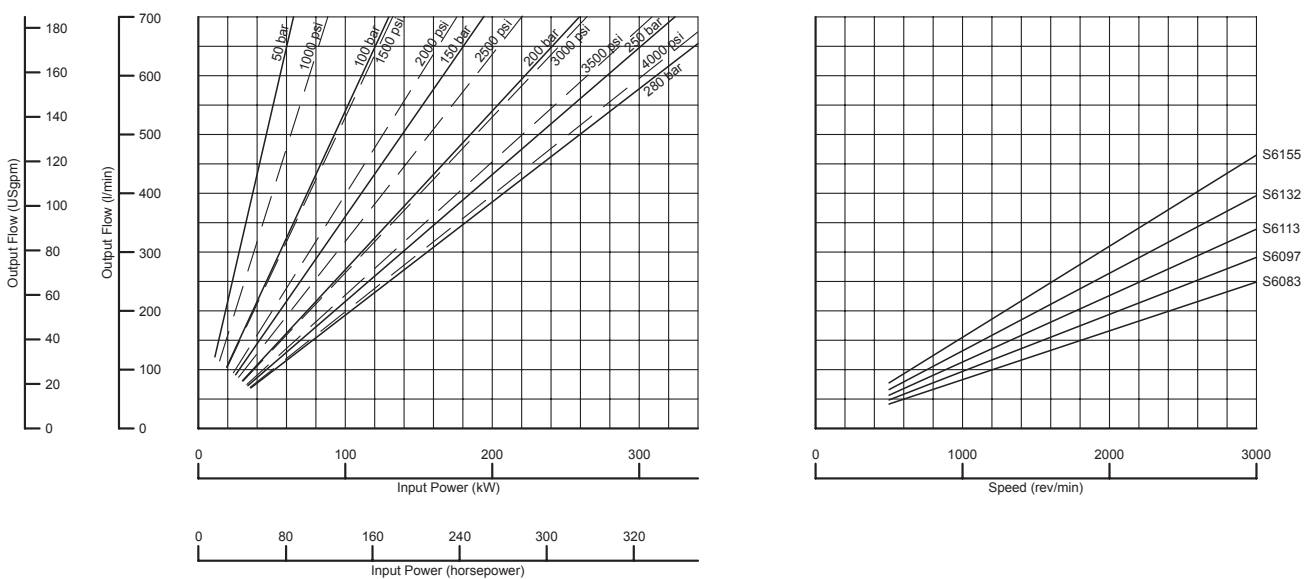


OUTPUT FLOWS are theoretical. Generally volumetric efficiencies are in excess of 95%. Your David Brown Hydraulics' representative will advise for specific conditions.

INPUT POWERS are actual, taking into account average efficiencies. Please consult your David Brown Hydraulics' representative when output pressure is less than 50 bar.

Example R6187 at 1500 rev/min gives output flow of 281 l/min (74 US gal/min) and requires 107 kW (144 hp) to drive it at 200 bar (2900 psi).

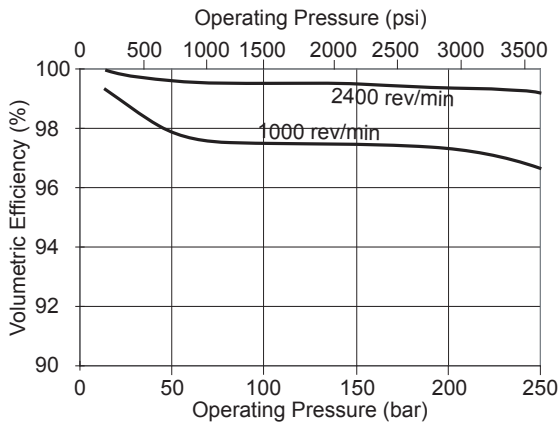
QS6 SERIES



Curves drawn for average pumps at 50°C (120°F) - fluid viscosity 23 mm²/sec (110 SSU).

QR6/QS6 EFFICIENCIES, NOISE LEVELS, MOMENTS OF INERTIA

PUMP EFFICIENCIES

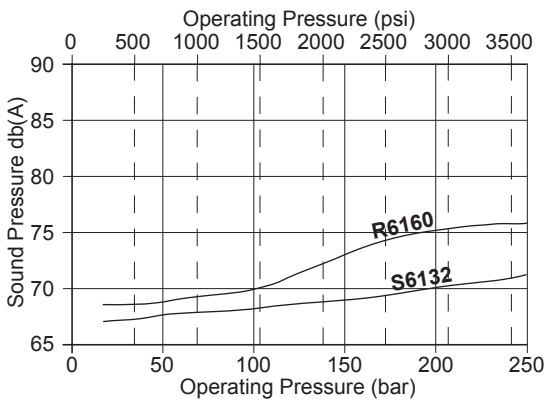


All Q Series pumps share very high efficiencies. The graph shows typical QS6 volumetric efficiency curves at 1000 and 2400 rev/min.

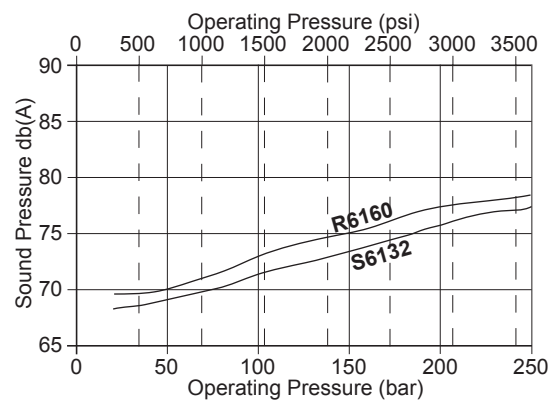
NOISE LEVELS

As described on Page 6, the reduction of noise levels was a major factor in the development of the Q Series pumps. The following graphs show QR6 and QS6 sound pressure levels at one metre from the pump derived from measurements of sound power levels to ISO9614-4.

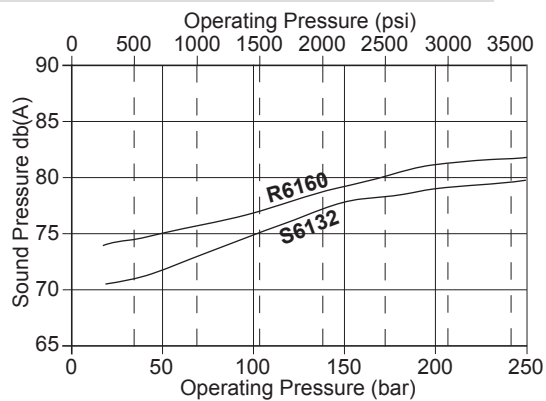
Q6 Sound Pressure at 1 metre - 1000 rpm



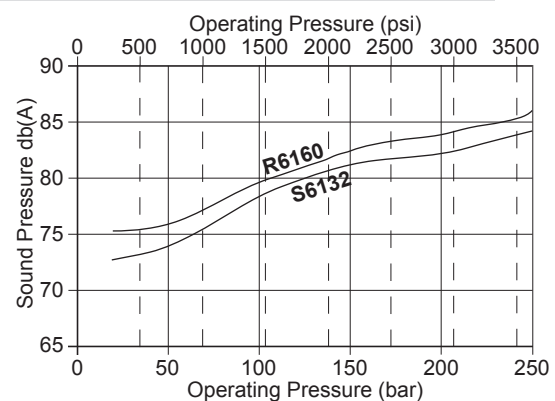
Q6 Sound Pressure at 1 metre - 1500 rpm



Q6 Sound Pressure at 1 metre - 1800 rpm



Q6 Sound Pressure at 1 metre - 2400 rpm



MOMENTS OF INERTIA

QR6 SERIES

PUMP SIZE		R6100	R6117	R6137	R6160	R6187	R6220
Moment of Inertia	kg cm ² (lb in ²)	16.18 (5.50)	17.76 (6.04)	19.61 (6.67)	21.74 (7.40)	24.24 (8.24)	27.29 (9.28)

QS6 SERIES

PUMP SIZE		S6083	S6097	S6113	S6132	S6155
Moment of Inertia	kg cm ² (lb in ²)	21.71 (7.38)	23.50 (7.99)	25.55 (8.69)	27.98 (9.51)	30.92 (10.51)

QR6/QS6 SHAFT SEALS & DRIVE SHAFTS

SHAFT SEALS

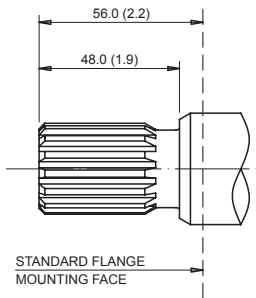
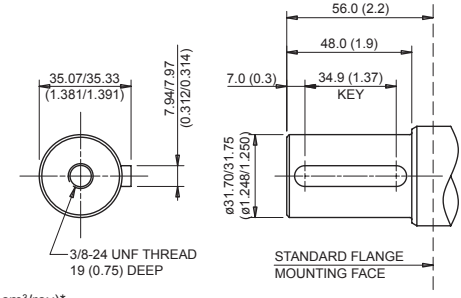
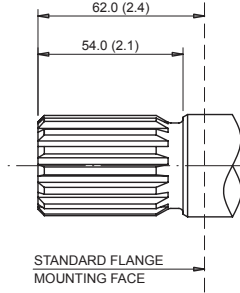
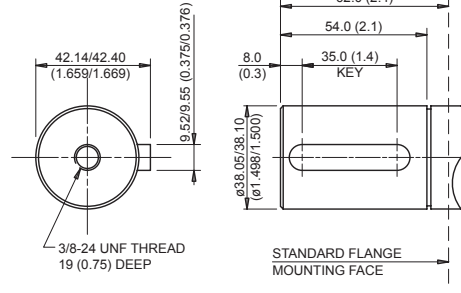
Code **A** Shaft seal and wiper for external drives

Example R1**A**6100C51A1L1HA

Code **C** Shaft seal, wiper and seal with tell-tale hole for torque converter and gearbox drives. The tell-tale hole indicates leakage before mixing of fluids can occur.

Example R1**C**6100C41A1L1HA

DRIVE SHAFTS

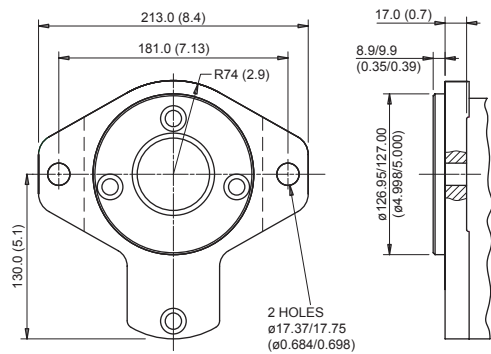
<p>Code C SAE 32-4 (C) 1.1/4" spline Example R1A6100C41A1L1HA</p> <p>INVOLUTE SPLINE 14 TEETH 12/24 DP FLAT ROOT SIDE FIT 30° PRESSURE ANGLE MAJOR DIA: 31.22/31.12 (1.229/1.225)</p>  <p>STANDARD FLANGE MOUNTING FACE</p> <p>$p \times D = 45565 \text{ (bar} \times \text{cm}^3/\text{rev)}^*$ $p \times D = 40325 \text{ (psi} \times \text{cu.in/rev)}^*$</p>	<p>Code G SAE 32-1 (C) 1.1/4" parallel Example R1A6100G41A1L1HA</p>  <p>STANDARD FLANGE MOUNTING FACE</p> <p>$p \times D = 45565 \text{ (bar} \times \text{cm}^3/\text{rev)}^*$ $p \times D = 40325 \text{ (psi} \times \text{cu.in/rev)}^*$</p>
<p>Code T SAE 38-4 (CC) 1.1/2" spline Example R1A6100T41A1L1HA</p> <p>INVOLUTE SPLINE 17 TEETH 12/24 DP FLAT ROOT SIDE FIT 30° PRESSURE ANGLE MAJOR DIA: 37.57/37.44 (1.479/1.474)</p>  <p>STANDARD FLANGE MOUNTING FACE</p> <p>$p \times D = 86950 \text{ (bar} \times \text{cm}^3/\text{rev)}^*$ $p \times D = 76950 \text{ (psi} \times \text{cu.in/rev)}^*$</p>	<p>Code N SAE 38-1 (CC) 1.1/2" parallel Example R1A6100N41A1L1HA</p>  <p>STANDARD FLANGE MOUNTING FACE</p> <p>$p \times D = 86950 \text{ (bar} \times \text{cm}^3/\text{rev)}^*$ $p \times D = 76950 \text{ (psi} \times \text{cu.in/rev)}^*$</p>

* p = pressure, D = displacement. The stated values must not be exceeded.

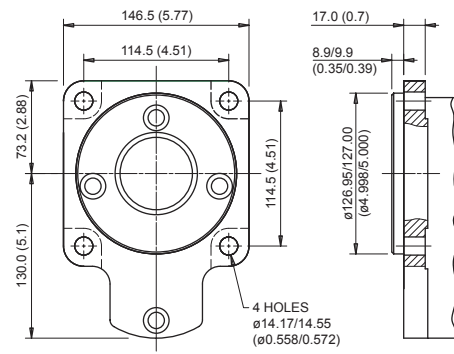
Note For multiple pumps the sum of the $p \times D$ values must not exceed the stated value. See Page 38.

QR6/QS6 MOUNTING FLANGES

Code **4** SAE 127-2 (C - 2 bolt)
Example R1A6100C**4**1A1L1HA



Code **5** SAE 127-4 (C - 4 bolt)
Example R1A6100C**5**1A1L1HA



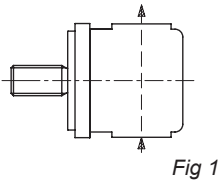
QR6/QS6 PORT POSITIONS & TYPES, SAE FLANGE DETAILS

NUMBER OF PUMP SECTIONS AND INLET PORT POSITIONS

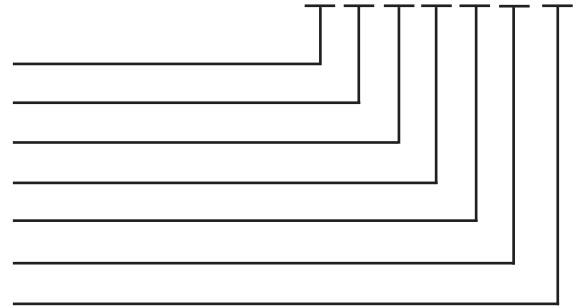
Code **A**

SINGLE PUMP Example

R 1 A 6 1 6 0 C 5 1 A 1 L 1 H C

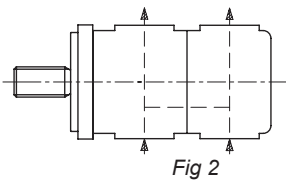


- Number of pump sections
- Inlet port position - see fig 1
- Inlet port type - see table 1
- Inlet port size - see table 1
- Outlet port type - see table 2
- Outlet port size - see table 2
- Rotation - viewed from shaft



A = anti-clockwise
C = clockwise

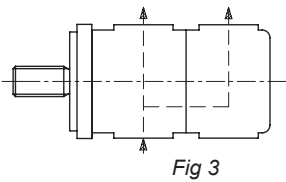
Code **B**



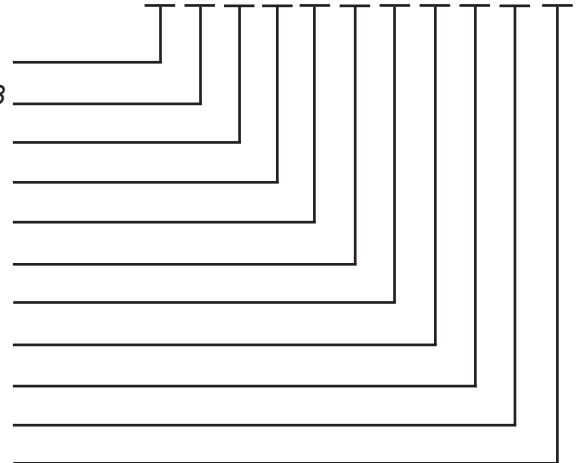
MULTI PUMP Example

R 1 A 6 1 6 0 R 6 1 0 0 T 5 2 A 1 M 1 H 0 X 1 H C

Code **A**



- Number of pump sections
- Inlet port position - see figs 2 or 3
- 1st Inlet port type - see table 1
- 1st Inlet port size - see table 1
- 1st Outlet port type - see table 2
- 1st Outlet port size - see table 2
- 2nd Inlet port type - see table 1
- 2nd Inlet port size - see table 1
- 2nd Outlet port type - see table 2
- 2nd Outlet port size - see table 2
- Rotation - viewed from shaft

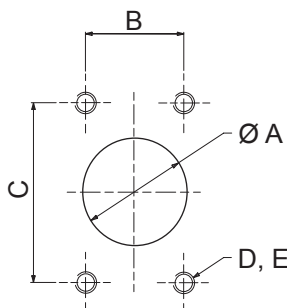


A = anti-clockwise
C = clockwise

MULTIPLE PUMPS - Please consult your David Brown Hydraulics' representative.

SAE FLANGE PORT DETAILS

SAE code 61.
Standard pressure series



SAE FLANGE SIZE	A mm (in)	B mm (in)	C mm (in)	D	E DEPTH mm (in)
1.1/2" (H)	38.1 (1.500)	35.7 (1.406)	70.0 (2.756)	M12 x 1.75 1/2"-13 UNC	26.9 (1.060)
2.1/2" (L)	63.5 (2.500)	50.8 (2.000)	88.9 (3.500)	M12 x 1.75 1/2"-13 UNC	30.2 (1.190)
3" (M)	76.2 (3.000)	61.9 (2.437)	106.4 (4.189)	M16 x 2.00 5/8"-11 UNC	30.2 (1.190)

QR6/QS6 PORTS, DOUBLE & MULTIPLE PUMPS - SAE FLANGE DETAILS

INLET PORT OPTIONS - Table 1

Port Type Code	SINGLE PUMP INLET PORT OPTIONS						COMMON INLET PORT OPTIONS							
	1			2			1				2			
Port Type	SAE Flange Metric			SAE Flange UNC			SAE Flange Metric				SAE Flange UNC			
Port Size Code	K	L	M	K	L	M	K	L	M	N	K	L	M	
Port Size	2	2.1/2	3	2	2.1/2	3	2	2.1/2	3	4	2	2.1/2	3	4
R6100	<input type="checkbox"/>	<input checked="" type="checkbox"/>	<input type="checkbox"/>	<input type="checkbox"/>	<input checked="" type="checkbox"/>	<input type="checkbox"/>	<input type="checkbox"/>	<input type="checkbox"/>	<input checked="" type="checkbox"/>	<input type="checkbox"/>	<input type="checkbox"/>	<input type="checkbox"/>	<input checked="" type="checkbox"/>	<input type="checkbox"/>
R6117	<input type="checkbox"/>	<input checked="" type="checkbox"/>	<input type="checkbox"/>	<input type="checkbox"/>	<input checked="" type="checkbox"/>	<input type="checkbox"/>	<input type="checkbox"/>	<input type="checkbox"/>	<input checked="" type="checkbox"/>	<input type="checkbox"/>	<input type="checkbox"/>	<input type="checkbox"/>	<input checked="" type="checkbox"/>	<input type="checkbox"/>
R6137	<input type="checkbox"/>	<input checked="" type="checkbox"/>	<input type="checkbox"/>	<input type="checkbox"/>	<input checked="" type="checkbox"/>	<input type="checkbox"/>	<input type="checkbox"/>	<input type="checkbox"/>	<input checked="" type="checkbox"/>	<input type="checkbox"/>	<input type="checkbox"/>	<input type="checkbox"/>	<input checked="" type="checkbox"/>	<input type="checkbox"/>
R6160	<input type="checkbox"/>	<input checked="" type="checkbox"/>	<input type="checkbox"/>	<input type="checkbox"/>	<input checked="" type="checkbox"/>	<input type="checkbox"/>	<input type="checkbox"/>	<input type="checkbox"/>	<input checked="" type="checkbox"/>	<input type="checkbox"/>	<input type="checkbox"/>	<input type="checkbox"/>	<input checked="" type="checkbox"/>	<input type="checkbox"/>
R6187	<input type="checkbox"/>	<input checked="" type="checkbox"/>	<input type="checkbox"/>	<input type="checkbox"/>	<input checked="" type="checkbox"/>	<input type="checkbox"/>	<input type="checkbox"/>	<input type="checkbox"/>	<input checked="" type="checkbox"/>	<input type="checkbox"/>	<input type="checkbox"/>	<input type="checkbox"/>	<input checked="" type="checkbox"/>	<input type="checkbox"/>
R6220	<input type="checkbox"/>	<input checked="" type="checkbox"/>	<input type="checkbox"/>	<input type="checkbox"/>	<input checked="" type="checkbox"/>	<input type="checkbox"/>	<input type="checkbox"/>	<input type="checkbox"/>	<input checked="" type="checkbox"/>	<input type="checkbox"/>	<input type="checkbox"/>	<input type="checkbox"/>	<input checked="" type="checkbox"/>	<input type="checkbox"/>
S6083	<input type="checkbox"/>	<input checked="" type="checkbox"/>	<input type="checkbox"/>	<input type="checkbox"/>	<input checked="" type="checkbox"/>	<input type="checkbox"/>	<input type="checkbox"/>	<input type="checkbox"/>	<input checked="" type="checkbox"/>	<input type="checkbox"/>	<input type="checkbox"/>	<input type="checkbox"/>	<input checked="" type="checkbox"/>	<input type="checkbox"/>
S6097	<input type="checkbox"/>	<input checked="" type="checkbox"/>	<input type="checkbox"/>	<input type="checkbox"/>	<input checked="" type="checkbox"/>	<input type="checkbox"/>	<input type="checkbox"/>	<input type="checkbox"/>	<input checked="" type="checkbox"/>	<input type="checkbox"/>	<input type="checkbox"/>	<input type="checkbox"/>	<input checked="" type="checkbox"/>	<input type="checkbox"/>
S6113	<input type="checkbox"/>	<input checked="" type="checkbox"/>	<input type="checkbox"/>	<input type="checkbox"/>	<input checked="" type="checkbox"/>	<input type="checkbox"/>	<input type="checkbox"/>	<input type="checkbox"/>	<input checked="" type="checkbox"/>	<input type="checkbox"/>	<input type="checkbox"/>	<input type="checkbox"/>	<input checked="" type="checkbox"/>	<input type="checkbox"/>
S6132	<input type="checkbox"/>	<input checked="" type="checkbox"/>	<input type="checkbox"/>	<input type="checkbox"/>	<input checked="" type="checkbox"/>	<input type="checkbox"/>	<input type="checkbox"/>	<input type="checkbox"/>	<input checked="" type="checkbox"/>	<input type="checkbox"/>	<input type="checkbox"/>	<input type="checkbox"/>	<input checked="" type="checkbox"/>	<input type="checkbox"/>
S6155	<input type="checkbox"/>	<input checked="" type="checkbox"/>	<input type="checkbox"/>	<input type="checkbox"/>	<input checked="" type="checkbox"/>	<input type="checkbox"/>	<input type="checkbox"/>	<input type="checkbox"/>	<input checked="" type="checkbox"/>	<input type="checkbox"/>	<input type="checkbox"/>	<input type="checkbox"/>	<input checked="" type="checkbox"/>	<input type="checkbox"/>

- Preferred port size
- Non-preferred port size

Note: When coding, for single inlet multiple pumps, use 'O' in '2nd inlet port type' and 'X' in '2nd inlet port size' in the model number.

OUTLET PORT OPTIONS - Table 2

Port Type Code	1					2				
	SAE Flange Metric					SAE Flange UNC				
Port Type	A	B	D	F	H	A	B	D	F	H
Port Size Code	A	B	D	F	H	A	B	D	F	H
Port Size	1/2	3/4	1	1.1/4	1.1/2	1/2	3/4	1	1.1/4	1.1/2
R6100	<input type="checkbox"/>	<input type="checkbox"/>	<input type="checkbox"/>	<input type="checkbox"/>	<input checked="" type="checkbox"/>	<input type="checkbox"/>	<input type="checkbox"/>	<input type="checkbox"/>	<input type="checkbox"/>	<input checked="" type="checkbox"/>
R6117	<input type="checkbox"/>	<input type="checkbox"/>	<input type="checkbox"/>	<input type="checkbox"/>	<input checked="" type="checkbox"/>	<input type="checkbox"/>	<input type="checkbox"/>	<input type="checkbox"/>	<input type="checkbox"/>	<input checked="" type="checkbox"/>
R6137	<input type="checkbox"/>	<input type="checkbox"/>	<input type="checkbox"/>	<input type="checkbox"/>	<input checked="" type="checkbox"/>	<input type="checkbox"/>	<input type="checkbox"/>	<input type="checkbox"/>	<input type="checkbox"/>	<input checked="" type="checkbox"/>
R6160	<input type="checkbox"/>	<input type="checkbox"/>	<input type="checkbox"/>	<input type="checkbox"/>	<input checked="" type="checkbox"/>	<input type="checkbox"/>	<input type="checkbox"/>	<input type="checkbox"/>	<input type="checkbox"/>	<input checked="" type="checkbox"/>
R6187	<input type="checkbox"/>	<input type="checkbox"/>	<input type="checkbox"/>	<input type="checkbox"/>	<input checked="" type="checkbox"/>	<input type="checkbox"/>	<input type="checkbox"/>	<input type="checkbox"/>	<input type="checkbox"/>	<input checked="" type="checkbox"/>
R6220	<input type="checkbox"/>	<input type="checkbox"/>	<input type="checkbox"/>	<input type="checkbox"/>	<input checked="" type="checkbox"/>	<input type="checkbox"/>	<input type="checkbox"/>	<input type="checkbox"/>	<input type="checkbox"/>	<input checked="" type="checkbox"/>
S6083	<input type="checkbox"/>	<input type="checkbox"/>	<input type="checkbox"/>	<input type="checkbox"/>	<input checked="" type="checkbox"/>	<input type="checkbox"/>	<input type="checkbox"/>	<input type="checkbox"/>	<input type="checkbox"/>	<input checked="" type="checkbox"/>
S6097	<input type="checkbox"/>	<input type="checkbox"/>	<input type="checkbox"/>	<input type="checkbox"/>	<input checked="" type="checkbox"/>	<input type="checkbox"/>	<input type="checkbox"/>	<input type="checkbox"/>	<input type="checkbox"/>	<input checked="" type="checkbox"/>
S6113	<input type="checkbox"/>	<input type="checkbox"/>	<input type="checkbox"/>	<input type="checkbox"/>	<input checked="" type="checkbox"/>	<input type="checkbox"/>	<input type="checkbox"/>	<input type="checkbox"/>	<input type="checkbox"/>	<input checked="" type="checkbox"/>
S6132	<input type="checkbox"/>	<input type="checkbox"/>	<input type="checkbox"/>	<input type="checkbox"/>	<input checked="" type="checkbox"/>	<input type="checkbox"/>	<input type="checkbox"/>	<input type="checkbox"/>	<input type="checkbox"/>	<input checked="" type="checkbox"/>
S6155	<input type="checkbox"/>	<input type="checkbox"/>	<input type="checkbox"/>	<input type="checkbox"/>	<input checked="" type="checkbox"/>	<input type="checkbox"/>	<input type="checkbox"/>	<input type="checkbox"/>	<input type="checkbox"/>	<input checked="" type="checkbox"/>

- Preferred port size
- Non-preferred port size

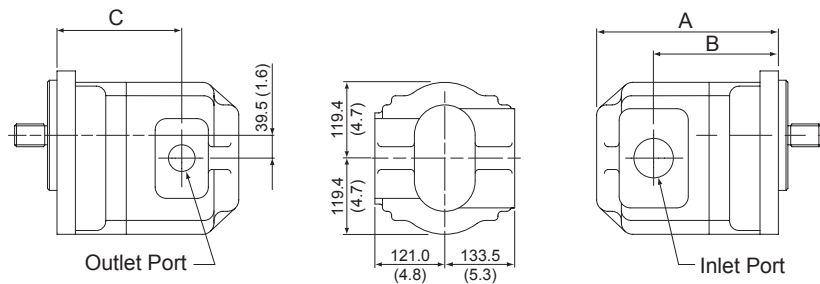
QS7 DIMENSIONAL DATA (S SERIES ONLY AVAILABLE)

Note Drawings show clockwise rotation pumps. For anti-clockwise rotation pumps reverse the inlet and outlet port positions. (Rotation convention - view from pump shaft end).

Full detailed dimensions are shown on the relevant pages covering drive shafts, mounting flanges and ports.

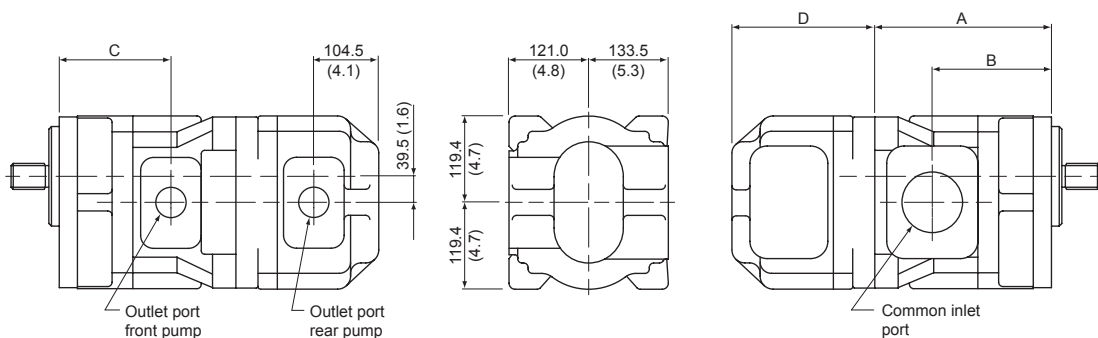
SINGLE PUMPS - standard ports Code **A**

Example S1A7155C51 **A**1L1HC



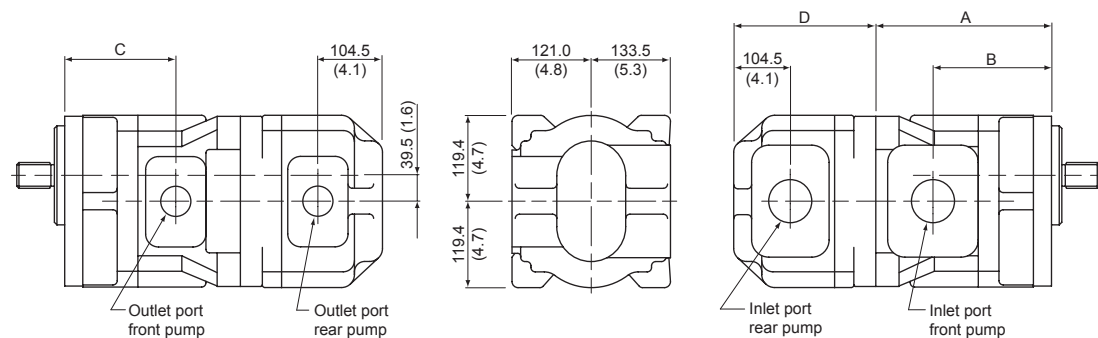
DOUBLE PUMPS - 1 inlet/2 outlets Code **A**

Example S1A7155S7155T52 **A**1M1H0X1HC



DOUBLE PUMPS - 2 inlets/2 outlets Code **B**

Example S1A7155S7155T42 **B**1L1H1L1HC



TRIPLE AND QUADRUPLE PUMPS - See Pages 38 and 39.

QS7 DIMENSIONAL DATA, PERFORMANCE DATA

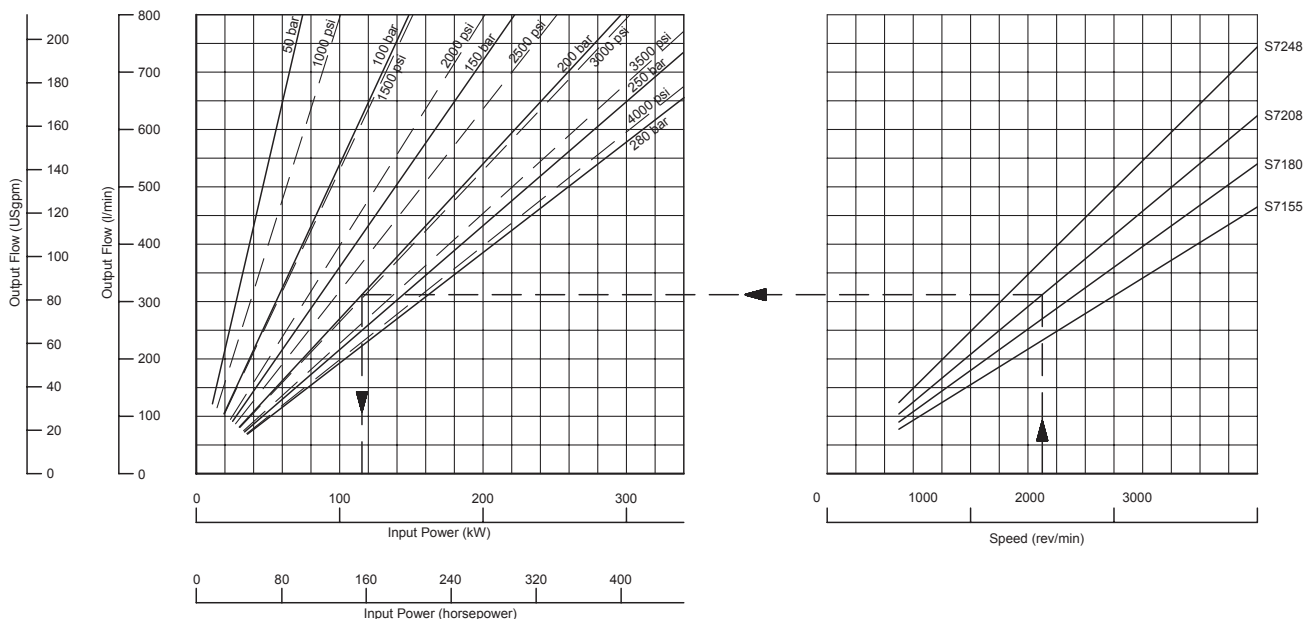
PUMP	A	B	C	D	WEIGHT		
	mm (in)	mm (in)	mm (in)	mm (in)	kg (lb)	kg (lb)	kg (lb)
					Single*	Front*	Rear*
S7155	288.0 (11.338)	183.0 (7.205)	183.0 (7.205)	~	79.0 (174.0)	84.0 (185.0)	67.0 (147.0)
S7180	296.0 (11.653)	191.0 (7.520)	191.0 (7.520)	~	82.0 (180.0)	87.0 (191.0)	70.0 (154.0)
S7208	305.0 (12.000)	201.0 (7.913)	201.0 (7.913)	~	86.0 (190.0)	91.0 (200.0)	74.0 (163.0)
S7248	318.0 (12.520)	214.0 (8.425)	214.0 (8.425)	~	91.0 (200.0)	96 (211.0)	79.0 (174.0)

~ Please contact your David Brown Hydraulics' representative.

* **Note** Weights are approximate
 Double pump weight = (front + rear) weights

PERFORMANCE

Curves drawn for average pumps at 50°C (120°F). Fluid viscosity 23 mm²/sec (110 SSU).



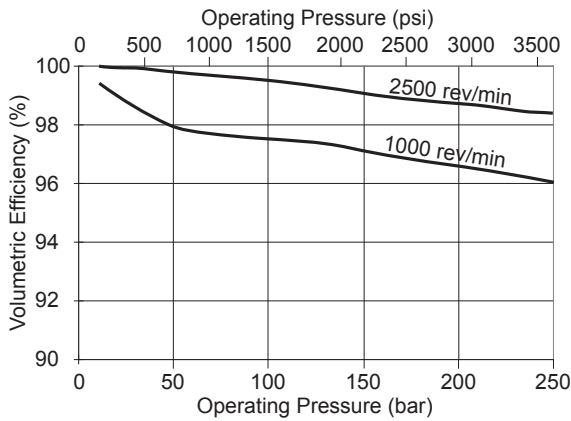
OUTPUT FLOWS are theoretical. Generally volumetric efficiencies are in excess of 95%. Your David Brown Hydraulics' representative will advise for specific conditions.

INPUT POWERS are actual, taking into account average efficiencies. Please consult your David Brown Hydraulics' representative when output pressure is less than 50 bar.

Example S7208 at 1500 rev/min gives output flow of 302 l/min (80 US gal/min) and requires 118 kW (159 hp) to drive it at 200 bar (2900 psi).

QS7 EFFICIENCIES, NOISE LEVELS, MOMENTS OF INERTIA

PUMP EFFICIENCIES

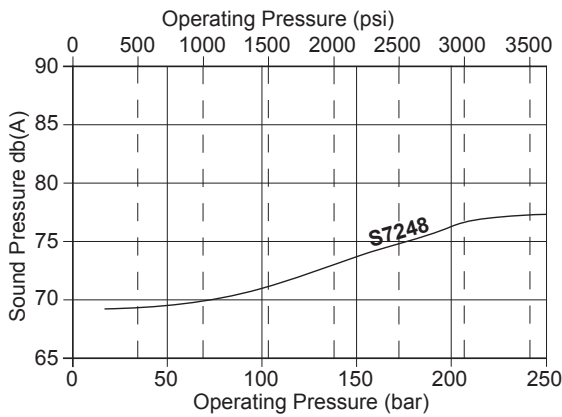


All Q Series pumps share very high efficiencies. The graph shows typical QS7 volumetric efficiency curves at 1000 and 2250 rev/min.

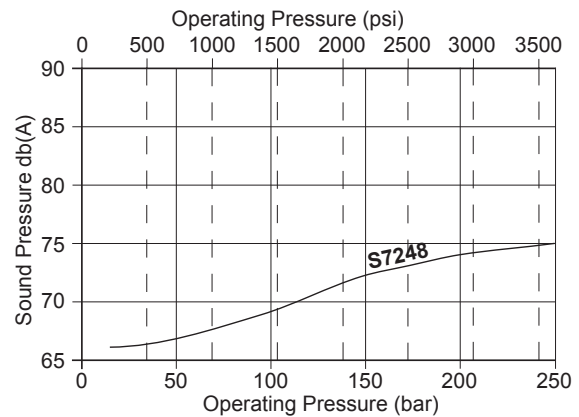
NOISE LEVELS

As described on Page 6, the reduction of noise levels was a major factor in the development of the Q Series pumps. The following graphs show QS7 sound pressure levels at one metre from the pump derived from measurements of sound power levels to ISO9614-4.

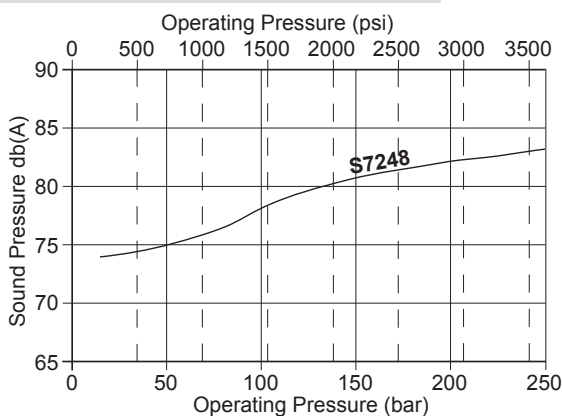
Q7 Sound Pressure at 1 metre - 1000 rpm



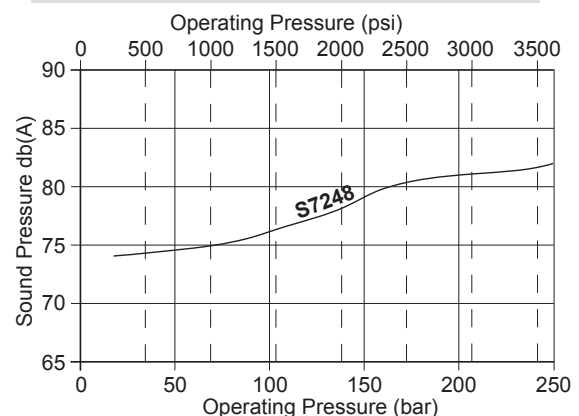
Q7 Sound Pressure at 1 metre - 1500 rpm



Q7 Sound Pressure at 1 metre - 1800 rpm



Q7 Sound Pressure at 1 metre - 2250 rpm



MOMENTS OF INERTIA

QS7 SERIES

PUMP SIZE		S7155	S7180	S7208	S7248
Moment of Inertia	kg cm ² (lb in ²)	60.33 (20.51)	65.21 (22.17)	70.68 (24.03)	78.49 (26.69)

QS7 SHAFT SEALS & DRIVE SHAFTS

SHAFT SEALS

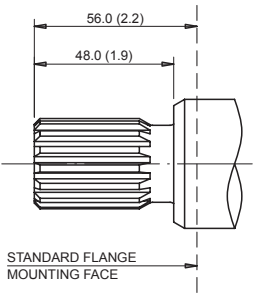
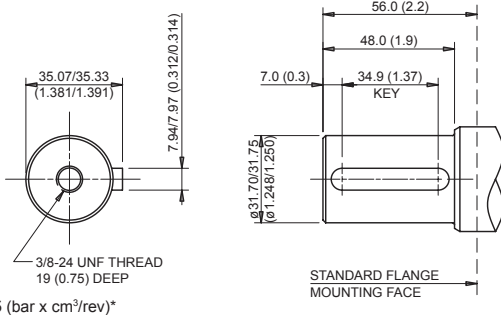
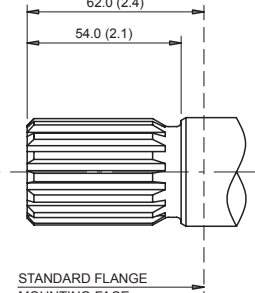
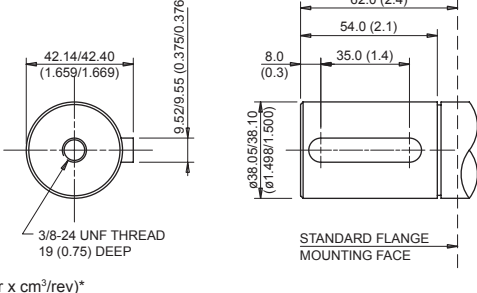
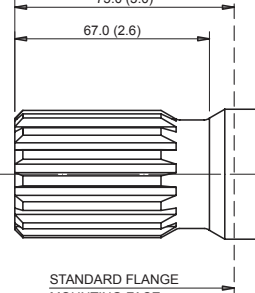
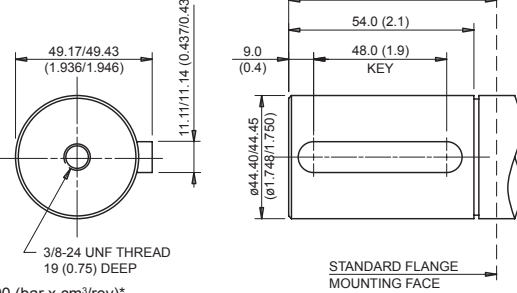
Code **A** Shaft seal and wiper for external drives

Example S1**A**7155C51A1L1HA

Code **C** Shaft seal, wiper and seal with tell-tale hole for torque converter and gearbox drives.
The tell-tale hole indicates leakage before mixing of fluids can occur.

Example S1**C**7155C51A1L1HA

DRIVE SHAFTS

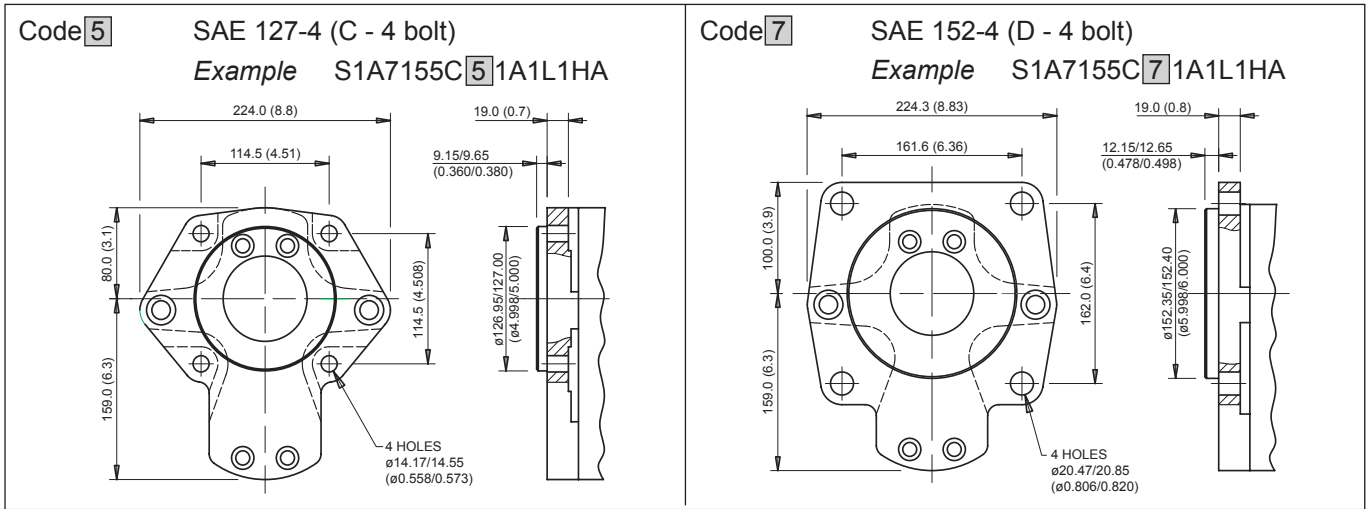
<p>Code C SAE 32-4 (C) 1.1/4" spline Example S1A7155C51A1L1HA</p> <p>INVOLUTE SPLINE 14 TEETH 12/24 DP FLAT ROOT SIDE FIT 30° PRESSURE ANGLE MAJOR DIA: 31.22/31.12 (1.229/1.225)</p>  <p>p x D = 45565 (bar x cm³/rev)* p x D = 40325 (psi x cu.in/rev)*</p>	<p>Code G SAE 32-1 (C) 1.1/4" parallel Example S1A7155G51A1L1HA</p>  <p>p x D = 45565 (bar x cm³/rev)* p x D = 40325 (psi x cu.in/rev)*</p>
<p>Code T SAE 38-4 (CC) 1.1/2" spline Example S1A7155T51A1L1HA</p> <p>INVOLUTE SPLINE 17 TEETH 12/24 DP FLAT ROOT SIDE FIT 30° PRESSURE ANGLE MAJOR DIA: 37.57/37.44 (1.479/1.474)</p>  <p>p x D = 86950 (bar x cm³/rev)* p x D = 76950 (psi x cu.in/rev)*</p>	<p>Code N SAE 38-1 (CC) 1.1/2" parallel Example S1A7155N51A1L1HA</p>  <p>p x D = 86950 (bar x cm³/rev)* p x D = 76950 (psi x cu.in/rev)*</p>
<p>Code D SAE 44-4 (D) 1.3/4" spline Example S1A7155D5A1A</p> <p>INVOLUTE SPLINE 13 TEETH 8/16 DP FLAT ROOT SIDE FIT 30° PRESSURE ANGLE MAJOR DIA: 43.71/43.59 (1.721/1.716)</p>  <p>p x D = 121400 (bar x cm³/rev)* p x D = 107439 (psi x cu.in/rev)*</p>	<p>Code P SAE 44-1 (D) 1.3/4" parallel Example S1A7155P51A1L1HA</p>  <p>p x D = 121400 (bar x cm³/rev)* p x D = 107439 (psi x cu.in/rev)*</p>

* p = outlet pressure, D = displacement. The stated values must not be exceeded.

Note For multiple pumps the sum of the p x D values must not exceed the stated value. See Page 38.

QS7 MOUNTING FLANGES, PORTS - SINGLE PUMPS

MOUNTING FLANGES

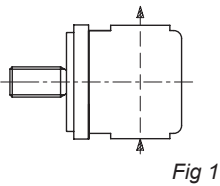


NUMBER OF PUMP SECTIONS AND INLET PORT POSITIONS

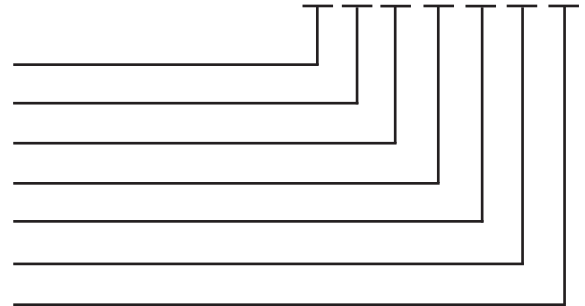
Code **A**

SINGLE PUMP *Example*

S 1 A 7 2 4 8 T 5 1 A 1 M 1 K C

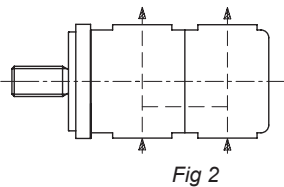


- Number of pump sections
- Inlet port position - see fig 1
- Inlet port type - see table 1
- Inlet port size - see table 1
- Outlet port type - see table 2
- Outlet port size - see table 2
- Rotation - viewed from shaft



A = anti-clockwise
 C = clockwise

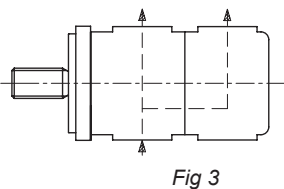
Code **C**



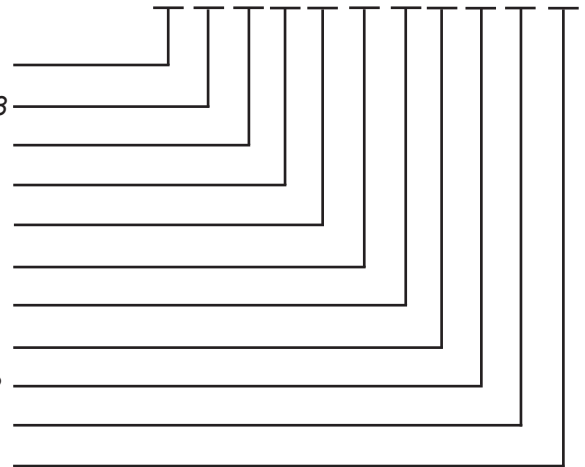
MULTI PUMP *Example*

S 1 A 7 2 0 8 S 7 1 8 0 T 5 2 B 1 M 1 K 1 L 1 H C

Code **A**



- Number of pump sections
- Inlet port position - see figs 2 or 3
- 1st Inlet port type - see table 1
- 1st Inlet port size - see table 1
- 1st Outlet port type - see table 2
- 1st Outlet port size - see table 2
- 2nd Inlet port type - see table 1
- 2nd Inlet port size - see table 1
- 2nd Outlet port type - see table 2
- 2nd Outlet port size - see table 2
- Rotation - viewed from shaft



A = anti-clockwise
 C = clockwise

QS7 PORTS - DOUBLE PUMPS - SAE FLANGE DETAILS

INLET PORT OPTIONS - Table 1

Port Type	SINGLE PUMP INLET PORT OPTIONS								COMMON INLET PORT OPTIONS							
Port Type Code	1				2				1				2			
Port Type	SAE Flange Metric				SAE Flange UNC				SAE Flange Metric				SAE Flange UNC			
Port Size Code	H	K	L	M	H	K	L	M	K	L	M	N	K	L	M	N
Port Size	1.1/2	2	2.1/2	3	1.1/2	2	2.1/2	3	2	2.12	3	4	2	2.1/2	3	4
S7155	<input type="checkbox"/>	<input type="checkbox"/>	<input checked="" type="checkbox"/>	<input type="checkbox"/>	<input type="checkbox"/>	<input type="checkbox"/>	<input checked="" type="checkbox"/>	<input type="checkbox"/>	<input type="checkbox"/>	<input type="checkbox"/>	<input checked="" type="checkbox"/>	<input type="checkbox"/>	<input type="checkbox"/>	<input type="checkbox"/>	<input checked="" type="checkbox"/>	<input type="checkbox"/>
S7180	<input type="checkbox"/>	<input type="checkbox"/>	<input checked="" type="checkbox"/>	<input type="checkbox"/>	<input type="checkbox"/>	<input type="checkbox"/>	<input checked="" type="checkbox"/>	<input type="checkbox"/>	<input type="checkbox"/>	<input type="checkbox"/>	<input checked="" type="checkbox"/>	<input type="checkbox"/>	<input type="checkbox"/>	<input type="checkbox"/>	<input checked="" type="checkbox"/>	<input type="checkbox"/>
S7208	<input type="checkbox"/>	<input type="checkbox"/>	<input type="checkbox"/>	<input checked="" type="checkbox"/>	<input type="checkbox"/>	<input type="checkbox"/>	<input type="checkbox"/>	<input checked="" type="checkbox"/>	<input type="checkbox"/>	<input type="checkbox"/>	<input checked="" type="checkbox"/>	<input type="checkbox"/>	<input type="checkbox"/>	<input type="checkbox"/>	<input checked="" type="checkbox"/>	<input type="checkbox"/>
S7248	<input type="checkbox"/>	<input type="checkbox"/>	<input type="checkbox"/>	<input checked="" type="checkbox"/>	<input type="checkbox"/>	<input type="checkbox"/>	<input type="checkbox"/>	<input checked="" type="checkbox"/>	<input type="checkbox"/>	<input type="checkbox"/>	<input checked="" type="checkbox"/>	<input type="checkbox"/>	<input type="checkbox"/>	<input type="checkbox"/>	<input checked="" type="checkbox"/>	<input type="checkbox"/>

- Preferred port size
- Non-preferred port size

Note: When coding, for single inlet multiple pumps, use 'O' in '2nd inlet port type' and 'X' in '2nd inlet port size' in the model number.

NOTE:
A common inlet is only available when an S7 is fitted with a pump of a different frame size, i.e.S6, R6, S5, R5, S4, R4.
A common inlet is not possible with a double S7

OUTLET PORT OPTIONS - Table 2

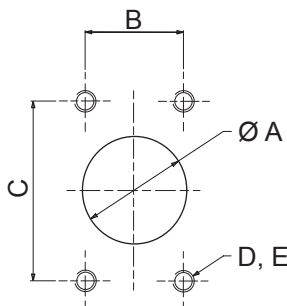
Port Type Code	1						2					
Port Type	SAE Flange Metric						SAE Flange UNC					
Port Size Code	A	B	D	F	H	K	A	B	D	F	K	K
Port Size	1/2	3/4	1	1.1/4	1.1/2	2	1/2	3/4	1	1.1/4	1.1/2	2
S7155	<input type="checkbox"/>	<input type="checkbox"/>	<input type="checkbox"/>	<input type="checkbox"/>	<input checked="" type="checkbox"/>	<input type="checkbox"/>	<input type="checkbox"/>	<input type="checkbox"/>	<input type="checkbox"/>	<input type="checkbox"/>	<input checked="" type="checkbox"/>	<input type="checkbox"/>
S7180	<input type="checkbox"/>	<input type="checkbox"/>	<input type="checkbox"/>	<input type="checkbox"/>	<input checked="" type="checkbox"/>	<input type="checkbox"/>	<input type="checkbox"/>	<input type="checkbox"/>	<input type="checkbox"/>	<input type="checkbox"/>	<input checked="" type="checkbox"/>	<input type="checkbox"/>
S7208	<input type="checkbox"/>	<input type="checkbox"/>	<input type="checkbox"/>	<input type="checkbox"/>	<input type="checkbox"/>	<input checked="" type="checkbox"/>	<input type="checkbox"/>	<input type="checkbox"/>	<input type="checkbox"/>	<input type="checkbox"/>	<input type="checkbox"/>	<input checked="" type="checkbox"/>
S7248	<input type="checkbox"/>	<input type="checkbox"/>	<input type="checkbox"/>	<input type="checkbox"/>	<input type="checkbox"/>	<input checked="" type="checkbox"/>	<input type="checkbox"/>	<input type="checkbox"/>	<input type="checkbox"/>	<input type="checkbox"/>	<input type="checkbox"/>	<input checked="" type="checkbox"/>

- Preferred port size
- Non-preferred port size

MULTIPLE PUMPS - Please consult your David Brown Hydraulics representative.

SAE FLANGE PORT DETAILS

SAE code 61.
Standard pressure series



SAE FLANGE SIZE	A mm (in)	B mm (in)	C mm (in)	D	E DEPTH mm (in)
1.1/2" (H)	38.1 (1.500)	35.71 (1.406)	69.85 (2.750)	M12 x 1.75	26.9 (1.06)
2" (K)	50.8 (2.000)	42.88 (1.688)	77.77 (3.062)	M12 x 1.75	26.9 (1.06)
2.1/2" (L)	63.5 (2.500)	50.80 (2.000)	88.90 (3.500)	M12 x 1.75	30.2 (1.19)
3" (M)	76.2 (3.000)	61.93 (2.438)	106.38 (4.188)	M16 x 2.00	30.2 (1.19)
4" (N)	101.6 (4.000)	77.77 (3.062)	130.18 (5.125)	M16 x 2.00	30.2 (1.19)

Q SERIES MULTIPLE PUMPS

Both R Series and S Series pumps of the same or different frame sizes may be connected together to form multiple (double, triple or even quadruple) pumps driven by the same shaft.

IT IS ALSO POSSIBLE TO MOUNT ALUMINIUM PUMPS FROM THE 'A' SERIES RANGE TO "R" AND "S" SERIES PUMPS. PLEASE CONSULT YOUR DAVID BROWN HYDRAULICS' REPRESENTATIVE.

Multiple pump combinations may be limited by the torque capacity of the drive shaft and couplings.
The torque factors listed below must not be exceeded.

Torque factor $T = pD$ where p = outlet pressure, D = displacement.

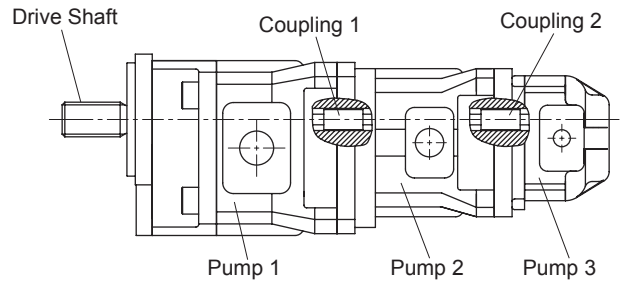
For a triple pump, for example

$$T_{\text{shaft}} = p_1 D_1 + p_2 D_2 + p_3 D_3$$

$$T_{\text{coupling 1}} = p_2 D_2 + p_3 D_3$$

$$T_{\text{coupling 2}} = p_3 D_3$$

(p_1 , p_2 and p_3 are maximum simultaneous pressures)

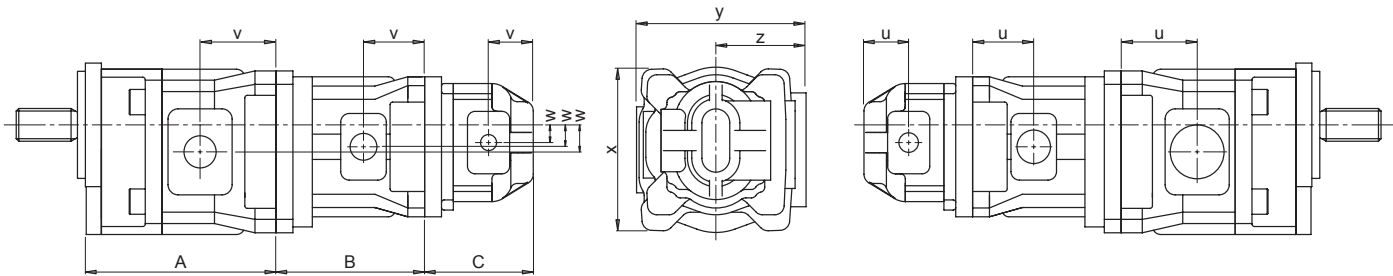


The T values must not exceed those shown in the table below

CODE	SHAFT TYPE	T = pD MAXIMUM	
		bar x cm ³ /rev	psi x cu.in/rev
A	SAE 'A' 5/8" spline	5,200	4,600
E	SAE 'A' 5/8" parallel	5,200	4,600
B	SAE 'B' 7/8" spline	14,226	12,590
F	SAE 'B' 7/8" parallel	14,226	12,590
Q	SAE 'BB' 1" spline	22,450	19,869
H	SAE 'BB' 1" parallel	22,450	19,869
C	SAE 'C' 1.1/4" spline	45,565	40,325
G	SAE 'C' 1.1/4" parallel	45,565	40,325
T	SAE 'CC' 1.1/2" spline	86,950	76,950
N	SAE 'CC' 1.1/2" parallel	86,950	76,950
D	SAE 'D' 1.3/4" spline	121,400	107,439
P	SAE 'D' 1.3/4" parallel	121,400	107,439
	Coupling Q4-Q4	11,250	9,956
	Coupling Q5-Q4	11,250	9,956
	Coupling Q5-Q5	21,250	18,806
	Coupling Q6-Q4	11,250	9,956
	Coupling Q6-Q5	21,250	18,806
	Coupling Q6-Q6	40,000	35,400
	Coupling Q7-Q4	11,250	9,956
	Coupling Q7-Q5	21,250	18,806
	Coupling Q7-Q6	40,000	35,400
	Coupling Q7-Q7	62,000	54,870

Q SERIES MULTIPLE PUMPS - MAJOR DIMENSIONS

These drawings give a quick reference to the overall dimensions of the QR and QS Series pumps. Multiple pumps are shown made up of individual sections connected together. The 'dual' type housing is not depicted.



	u (inlets)		v (outlets)		w		x		y		z	
	mm	in	mm	in	mm	in	mm	in	mm	in	mm	in
QR4/QS4	46.0	1.81	53.0	2.09	21.0	0.83	140.0	5.51	130.0	5.12	65.0	2.56
QR5/QS5	54.5	2.15	72.5	2.85	26.0	1.02	166.0	6.53	180.0	7.09	94.0	3.70
QR6/QS6	68.6	2.70	90.1	3.55	32.0	1.26	196.0	7.72	201.0	7.91	107.0	4.21
QS7	104.5	4.11	104.5	4.11	39.5	1.56	239.0	9.41	254.5	10.02	133.5	5.26

Pump lengths: Single = A

Double = A+C

Triple = A+B+C

R SERIES	A		B		C		S SERIES	A		B		C	
	mm	in	mm	in	mm	in		mm	in	mm	in	mm	in
R4016	145.0	5.71	115.0	4.53	115.0	4.53	S4016	151.0	5.94	121.0	4.76	121.0	4.76
R4019	147.0	5.79	118.0	4.65	118.0	4.65	S4023	158.0	6.22	129.0	5.08	129.0	5.08
R4023	150.0	5.91	121.0	4.76	121.0	4.76	S4027	163.0	6.42	134.0	5.27	134.0	5.27
R4027	154.0	6.06	124.0	4.88	124.0	4.88	S4032	169.0	6.65	139.0	5.47	139.0	5.47
R4032	158.0	6.22	128.0	5.04	128.0	5.04	S4037	175.0	6.89	145.0	5.71	145.0	5.71
R4038	163.0	6.42	133.0	5.24	133.0	5.24	S4042	181.0	7.12	151.0	5.94	151.0	5.94
R4045	169.0	6.65	139.0	5.47	139.0	5.47	S5045	188.0	7.40	154.0	6.06	154.0	6.06
R4053	175.0	6.89	146.0	5.75	146.0	5.75	S5051	192.0	7.56	159.0	6.26	159.0	6.26
R4060	181.0	7.12	151.0	5.95	151.0	5.94	S5060	199.0	7.83	166.0	6.53	166.0	6.53
R5045	178.0	7.01	144.0	5.67	144.0	5.67	S5070	207.0	8.15	173.0	6.81	173.0	6.81
R5053	182.0	7.16	148.0	5.83	148.0	5.83	S5085	218.0	8.58	185.0	7.28	185.0	7.28
R5063	187.0	7.36	154.0	6.06	154.0	6.06	S6083	226.0	8.90	188.0	7.40	188.0	7.40
R5073	193.0	7.60	159.0	6.26	159.0	6.26	S6097	234.0	9.21	196.0	7.72	196.0	7.72
R5085	199.0	7.83	166.0	6.53	166.0	6.35	S6113	242.0	9.53	204.0	8.03	204.0	8.03
R5100	207.0	8.15	174.0	6.85	174.0	6.85	S6132	251.0	9.88	213.0	8.38	213.0	8.39
R5120	218.0	8.58	185.0	7.28	185.0	7.28	S6155	263.0	10.35	225.0	8.86	225.0	8.86
R6100	220.0	8.66	182.0	7.16	182.0	7.16	S7155	~	~	~	~	~	~
R6117	226.0	8.90	188.0	7.40	188.0	7.40	S7180	~	~	~	~	~	~
R6137	233.0	9.17	195.0	7.68	195.0	7.68	S7208	~	~	~	~	~	~
R6160	241.0	9.49	203.0	7.99	203.0	7.99	S7248	~	~	~	~	~	~
R6187	251.0	9.88	213.0	8.39	213.0	8.38							
R6220	263.0	10.35	225.0	8.86	225.0	8.86							

~ Please consult your David Brown Hydraulics' representative.

*Note when mounting Q4 to Q6 add 18 mm to dimensions B and C.

Global Hydraulics combines the businesses of David Brown Hydraulics, Hydreco, and Powauto and supports worldwide customers with application expertise and famously reliable products.

The Global Hydraulics range includes pumps, motors, valves, pilot valves and power take offs to provide transport and mobile hydraulic solutions to customers seeking reliability combined with advanced performance.

For assistance see contact information below.



CONTACT INFORMATION

AUSTRALIA

David Brown Engineering & Hydraulics Pty Ltd
Unit 1A/167 Prospect Highway
Seven Hills,
NSW, 2147, Australia
Tel: +61 2 9838 6800
Fax: +61 2 9838 6899
E-mail: sales@powauto.com.au

DANMARK

David Brown Hydraulics Danmark A/S
Fuglebækvej 3d
DK-2770 Kastrup
Tel: +45 32 51 40 15
Fax: +45 32 51 20 22
E-mail: david-brown@david-brown.dk

FINLAND

David Brown Hydraulics OY
Vanha talvitie 3C
FI-00580 Helsinki
Tel: +385 9 3424 120
Fax: +385 9 3424 1236
E-mail: sales@davidbrownhydraulics.fi

DEUTSCHLAND

David Brown Hydraulics Deutschland GmbH
c/o Benzler TBA BV, Jachthavenweg 2
NL-5928 NT Venlo
The Netherlands
Tel: +31 77 32020 95
Fax: +31 77 32459 01
E-mail: davidbrown@t-online.de

ITALIA

David Brown Hydraulics Italia S.r.l.
Via Del Costruttore, 64
41058 Vignola - MO
Tel: +39 059 7700411
Fax: +39 059 7700425
E-mail: dbitalia@dbhsl.com

NORWAY

David Brown Benzlers AS
Strømsveien 312
Postboks 73 Leirdal
Oslo 1008
Tel: +47 22 90 94 10
Fax: +47 22 90 94 11
E-mail: post@dbhsl.no

USA

Hydreco Inc.
1500 Continental Blvd Ste Z
Charlotte
NC 28273-6376
Tel: +1 704-295-7575
Fax: +1 704-295-7574
E-mail: postmaster@hydreco.com

UK

David Brown Hydraulics
32 Factory Road
Poole
Dorset
BH16 5SL
Tel: +44 (0)1202 627500
Fax: +44 (0)1202 627555
E-mail: info@dbhsl.com

WEBSITES

David Brown Hydraulics:
www.davidbrownhydraulics.com

Hydreco: www.hydreco.com

Powauto: www.powauto.com.au