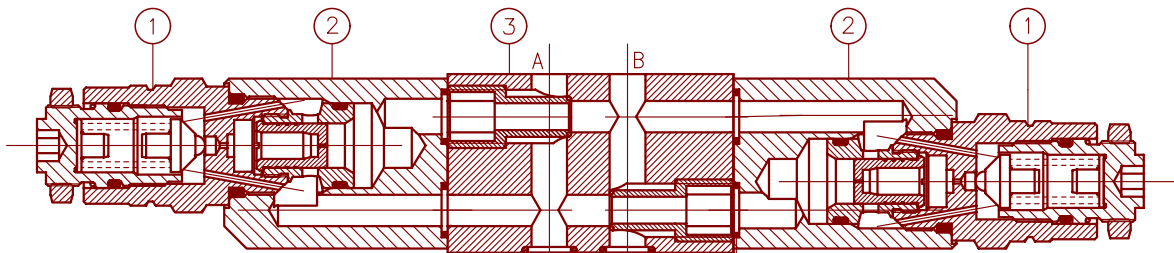
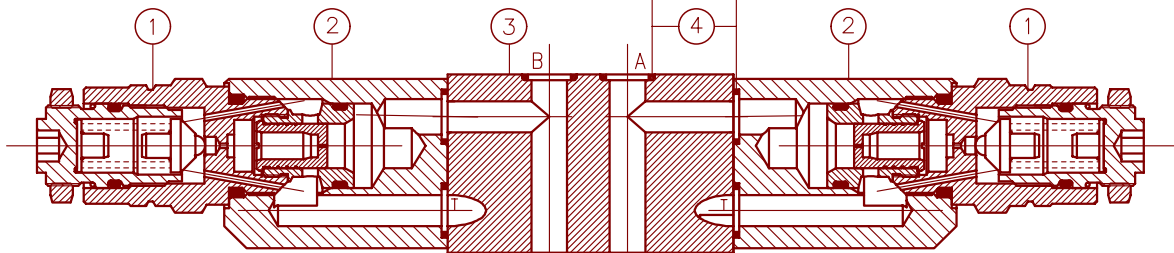
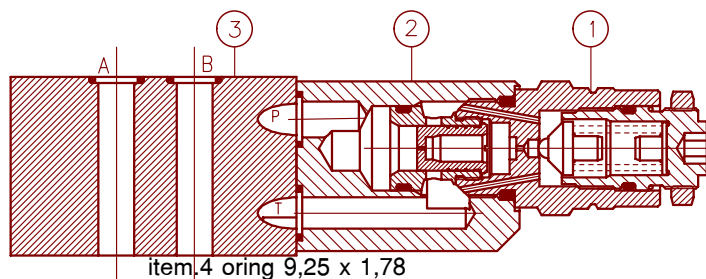


APPLICATION

Sandwich plate pressure relief valves type UZPR 6 are used to limit pressure in hydraulic systems.


Construction ABBA

Construction ATBT

Construction PT


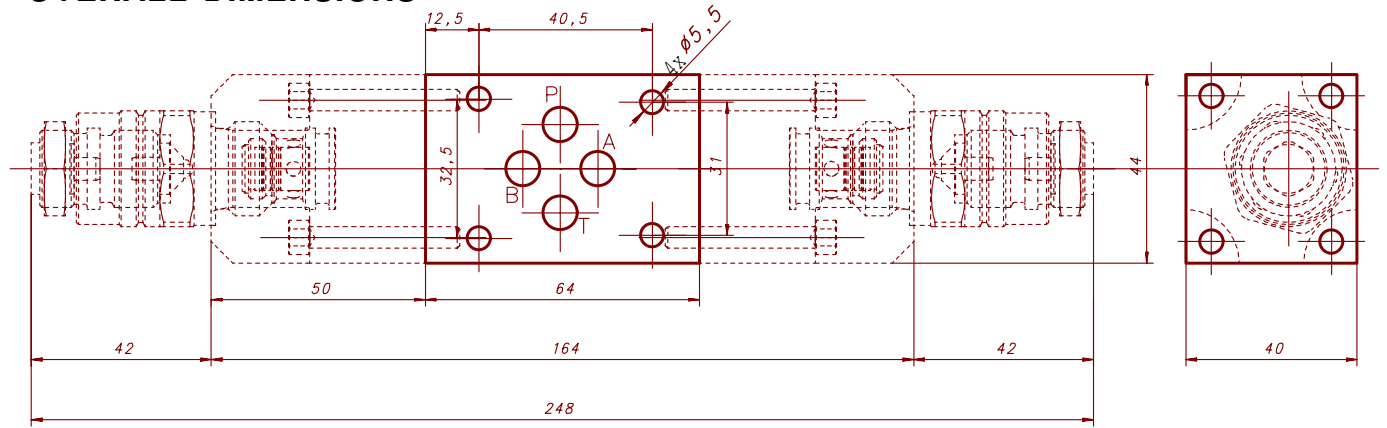
DESCRIPTION OF OPERATION

Pressure relief valve type UZPR 6 consists of the main block 3 and housing 2 in which the cartridge pressure relief valve 1 type UZPS 6 is installed. Due to providing a proper line from the main block, connections to hydraulic diagrams for certain version can be made.

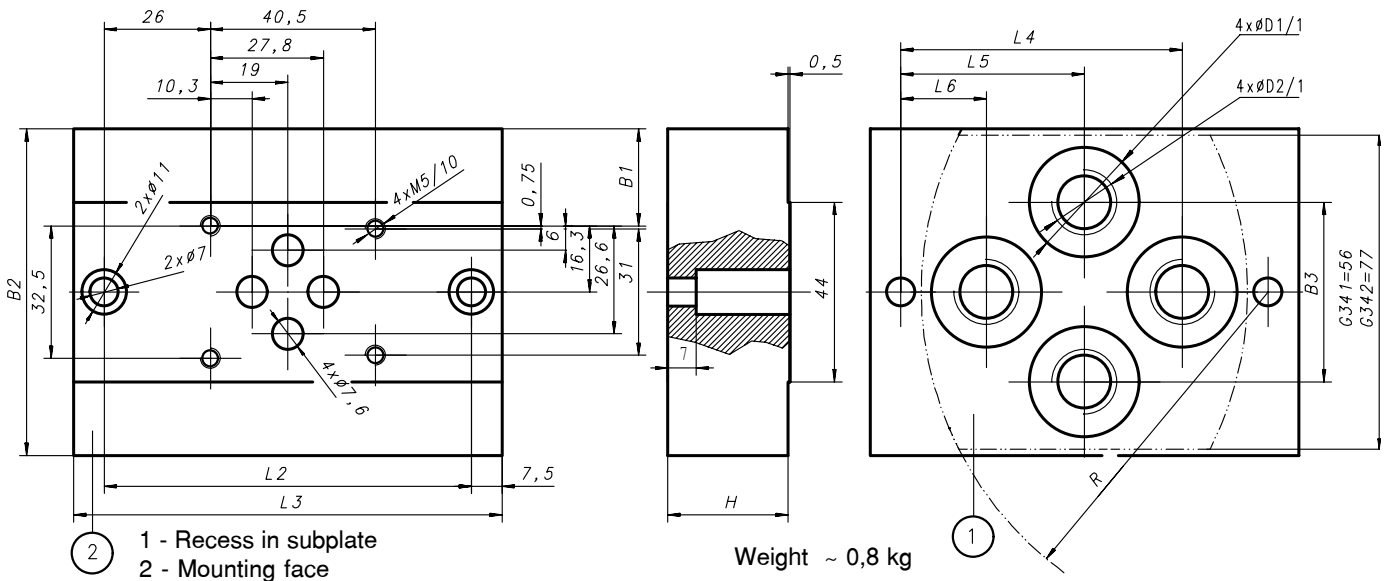
TECHNICAL DATA

| | |
|-------------------------------|--------------------------------------|
| Working medium | Mineral oil |
| Nominal viscosity | 37 mm ² /s at temp. 328 K |
| Viscosity range | up 2,8 to 380 mm ² /s |
| Working temperature (in tank) | up 313 to 328 K |
| Temperature range | up 243 to 343 K |
| Pressure range | 5 MPa; 10 MPa; 20 MPa; 29 MPa |
| Max pressure set | 29 MPa |
| Required fluid filtration | 16 mm |
| Recommended fluid filtration | 10 mm |
| Max admissible flow | 60 dm ³ /min. |
| Weight related to version | ~ 1,5 kg; ~ 2,2 kg |

OVERALL DIMENSIONS



CONNECTION DIMENSIONS FOR SUBPLATE



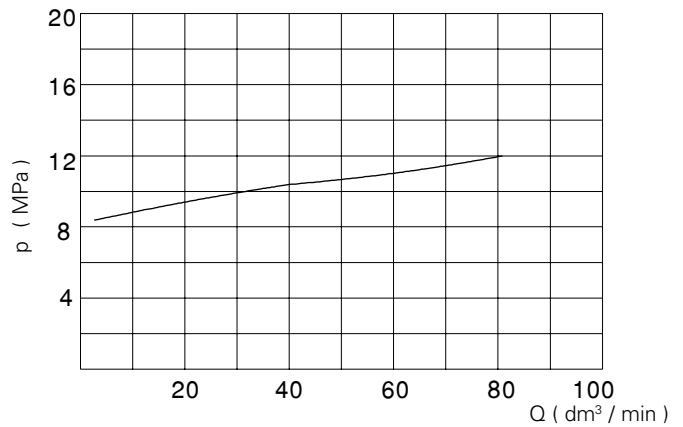
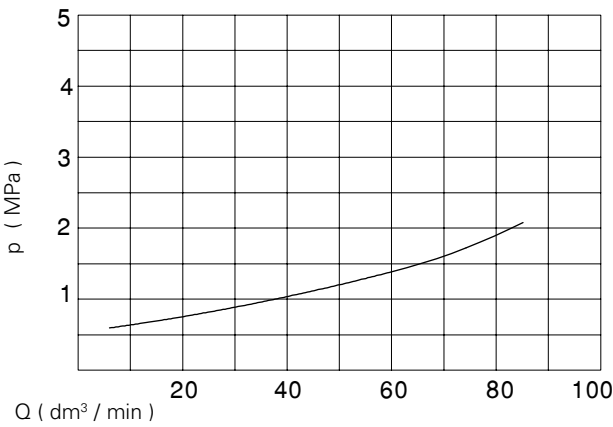
- 1 - Recess in subplate
- 2 - Mounting face

| Type | B1 | B2 | B3 | L1 | L2 | L3 | L4 | L5 | L6 | H | D1 | D2 | R | T |
|-----------|-----------|----|----|----|----|-----|----|----|----|----|----|-------------------------------|----|----|
| G341 / 01 | 12,- 7 | 58 | 34 | 21 | 80 | 95 | 55 | 40 | 25 | 25 | 22 | G ¹ / ₄ | 70 | 13 |
| G342 / 01 | 23,- 7 | 80 | 44 | 26 | 90 | 105 | 69 | 45 | 21 | 30 | 28 | G ³ / ₈ | 85 | 13 |
| G341 / 02 | 12,- 7 | 58 | 34 | 21 | 80 | 95 | 55 | 40 | 25 | 25 | 22 | M14 x 1,5 | 70 | 15 |
| G342 / 02 | 23,- 7 | 80 | 44 | 26 | 90 | 105 | 69 | 45 | 21 | 30 | 27 | M16 x 1,5 | 85 | 16 |

Fixing the valve to the subplate by means of 4 bolts
M5 x L - 10.9 PN-87/M-82302 (DIN 912) long
according to the number of mounted components.

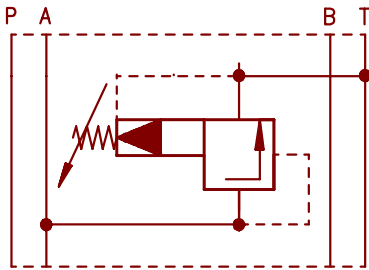
Tightening torque - 9 Nm.
Subplate and fixing bolts have to be ordered separately.

PERFORMANCE CURVES, measured at $v = 41 \text{ mm}^2/\text{s}$ and $T = 323 \text{ K}$

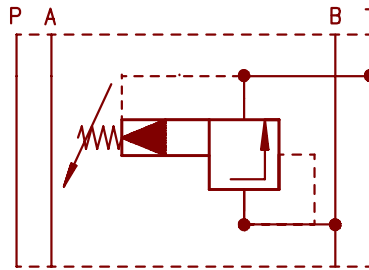


Operating pressure in relation to flow

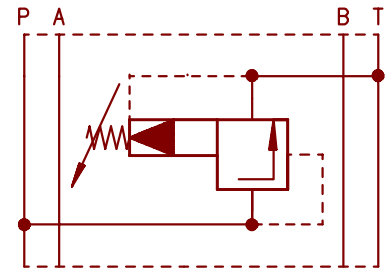
Graphical symbols



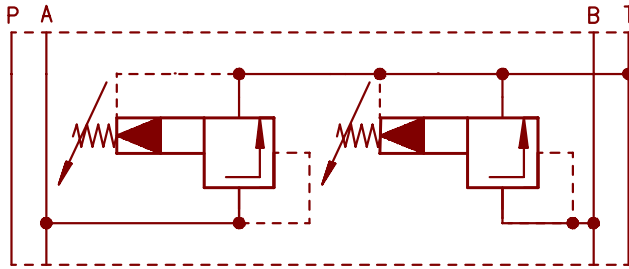
Construction AT



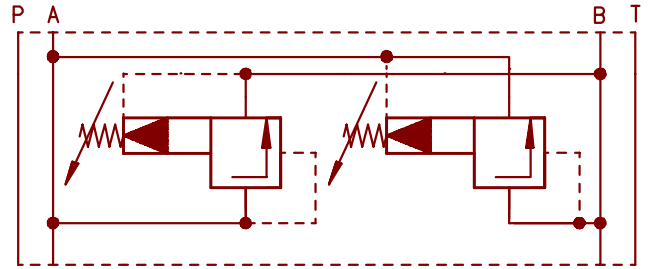
Construction BT



Construction PT



Construction ATBT



Construction ABBA

HOW TO ORDER

Orders coded in the way showed below should be forwarded to the manufacturer.

UZPR 6 - / - 2 - *

| | | | |
|--|-----------|--|--|
| Series number | | | |
| 22 | = 22 | | |
| (22 - 29) - installation and connection dimensions remain unchanged | | | |
| Set pressure range | | | |
| up to 5 MPa | = 50 | | |
| up to 10 MPa | = 100 | | |
| up to 20 MPa | = 200 | | |
| up to 29 MPa | = 290 | | |
| Adjustment | | | |
| Internal hexagon bolt | =2 | | |
| Connections to diagram | | | |
| Relief function from A to T | = AT | | |
| Relief function from B to T | = BT | | |
| Relief function from P to T | = PT | | |
| Relief function from A to B and B to A | = ABBA | | |
| Sealing | | | |
| Rubber | = no code | | |
| Viton | = V | | |
| Further requirements in clear text (to be agreed upon with the manufacturer) | | | |

Coding example: UZPR 6 22/50 2 ATBT-V

PONAR WADOWICE S.A.
ul. Wojska Polskiego 29
34-100 Wadowice
tel. 033/ 823 39 43, 823 30 41
fax 033/ 873 48 80
e-mail: ponar@ponar-wadowice.pl

