

### APPLICATION

Rectifier sandwich plate type UZFC 6 is used to set flow direction on outlet from A to B independent of supply direction on inlet A1, B1. The valves are mounted under flow control valve type UDRD 6 and have the same porting pattern.

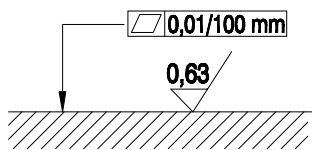
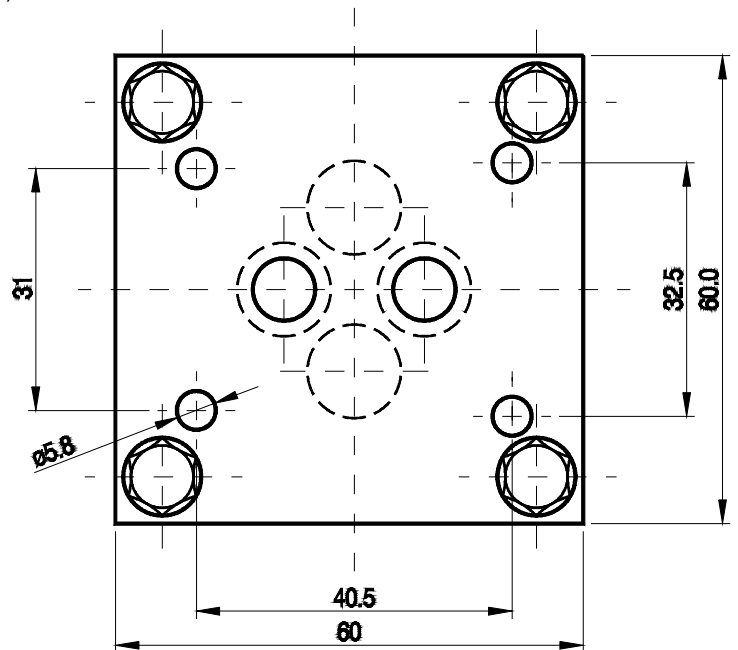
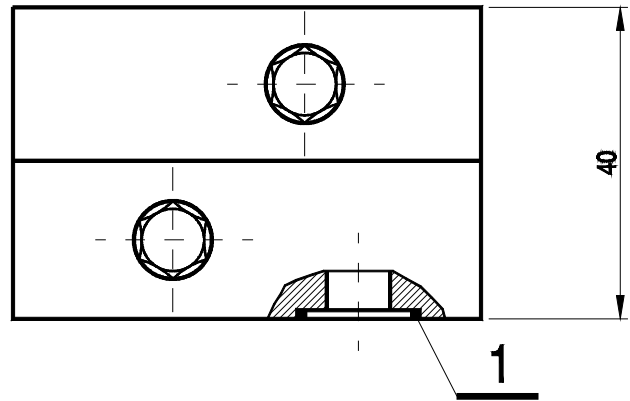
1. - Sealing ring 9,2 x 1,8 - 4 pcs

Valve fixing screw - M5 x 70 - 10.9 to PN-74/M-82302 (DIN 912) - 4 pcs

Tightening torque - 9 Nm.

The screws and subplate should be ordered separately.

### OVERALL AND CONNECTION DIMENSIONS

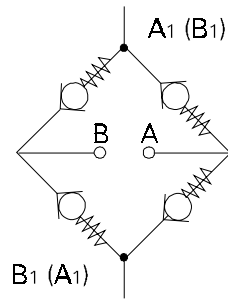


Required surface finish of mating subplate face.

### TECHNICAL DATA

Working medium	Mineral oil
Nominal fluid viscosity	37 mm <sup>2</sup> /s at temp. 328 K
Viscosity range	2,8 do 380 mm <sup>2</sup> /s
Optimum working temperature	313 - 328 K
Fluid temperature range	243 - 343 K
Filtration required	16 μm
Filtration required	10 μm
Cracking pressure	0,07 MPa
Weight	about 0,9 kg

## DIAGRAM



## HOW TO ORDER

Orders coded as below should be forwarded to the manufacturer.

UZFC	-6	/02		*
------	----	-----	--	---

Rectifier sandwich plate				
Nominal size Size 6	= 6			
Series number 02 (00-09)	= 02 = installation and connection dim. unchanged			
Sealing Rubber Viton	= no code = V			
Further requirements in clear text ( to agree with the manufacturer )				

Example: UZFC-6/02

PONAR WADOWICE S.A.  
ul. Wojska Polskiego 29  
34-100 Wadowice  
tel. 033/ 823 39 43, 823 30 41  
fax 033/ 873 48 80  
e-mail: ponar@ponar-wadowice.pl

