

### APPLICATION

Reverse directional valve URJP10 is used for continuous duty together with a hydraulic motor. It functions in self-reversible cycle. It finds its application in scraping systems i.g. for dung or sawdust. The valve can operate under fire hazard condition.



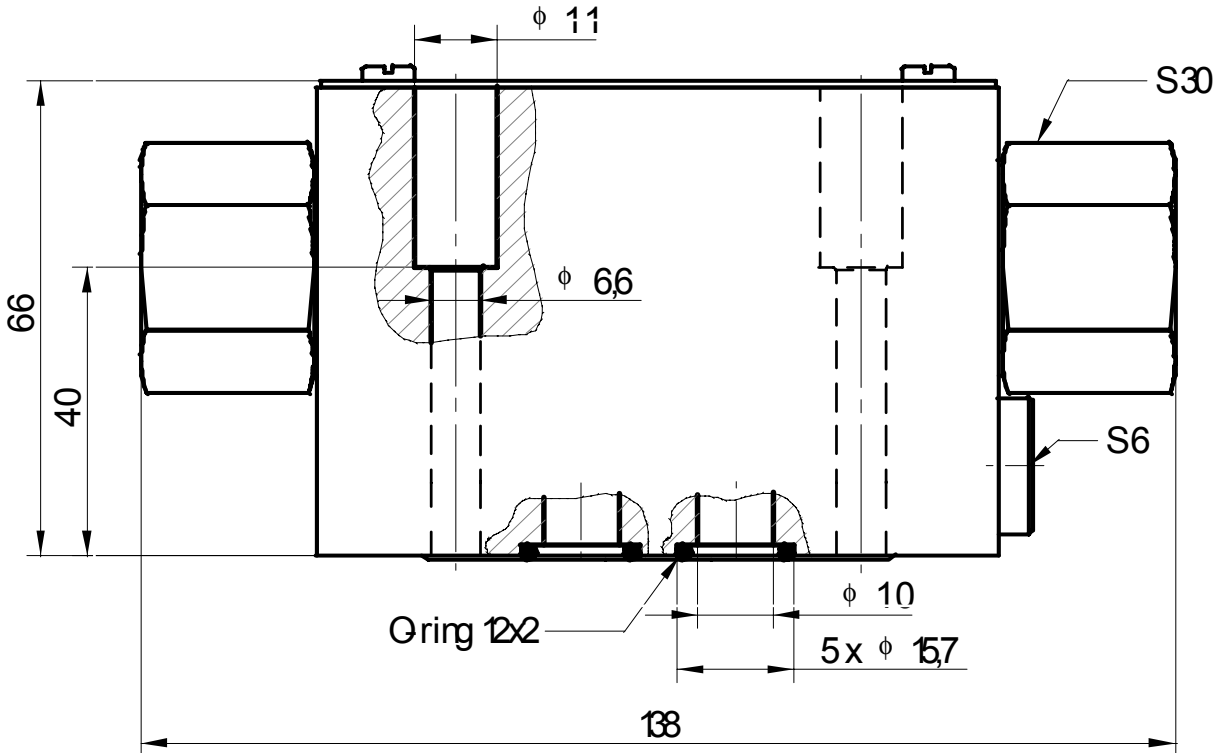
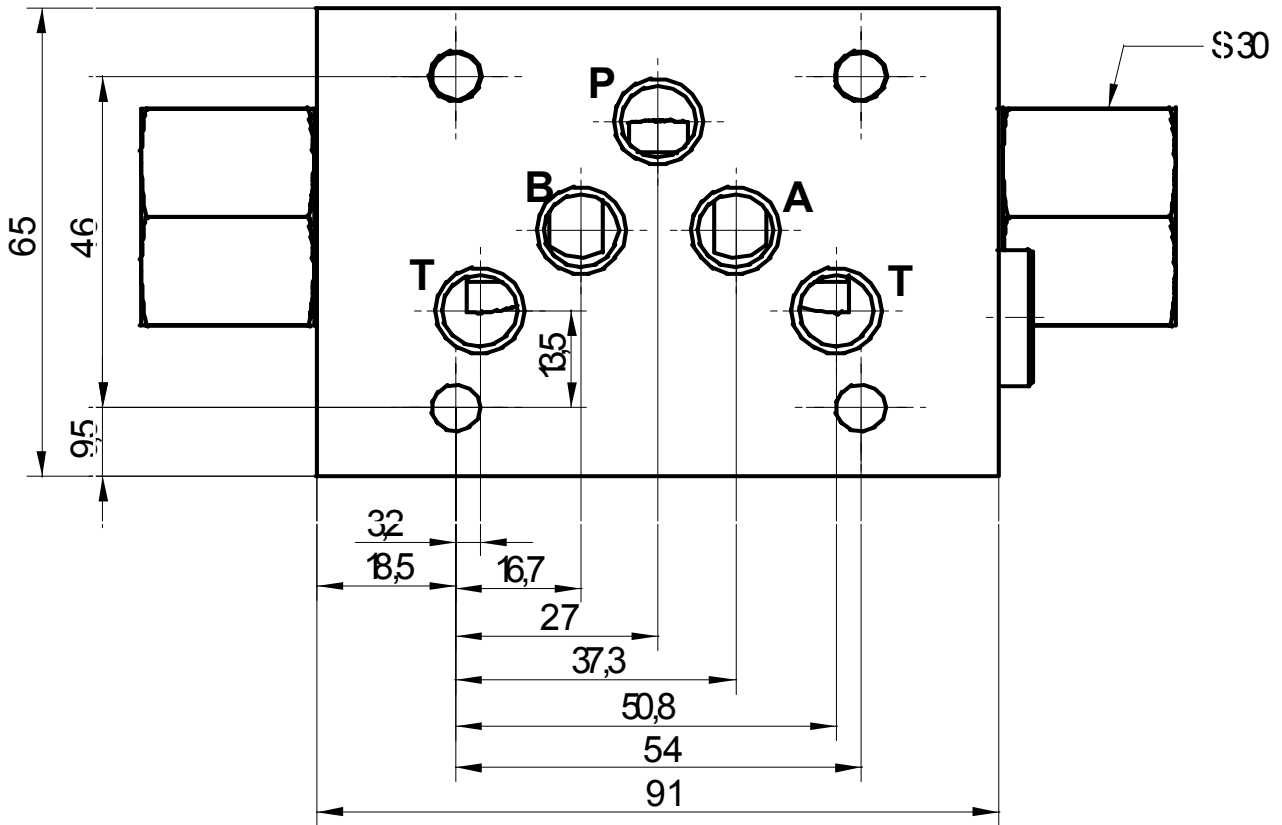
### DESCRIPTION OF OPERATION

The directional valve URJP10 realises automatic change of flow direction. This is possible due to opening and closing the flow lines by means of a working element – a spool in this case. URJP is 4-way 2-position directional spool valve automatically controlled. The cylinder piston rod reaches an extreme position causing increase of the system pressure and decrease of the flow rate. In this moment the valve switches automatically and the piston rod changes its direction of movement.

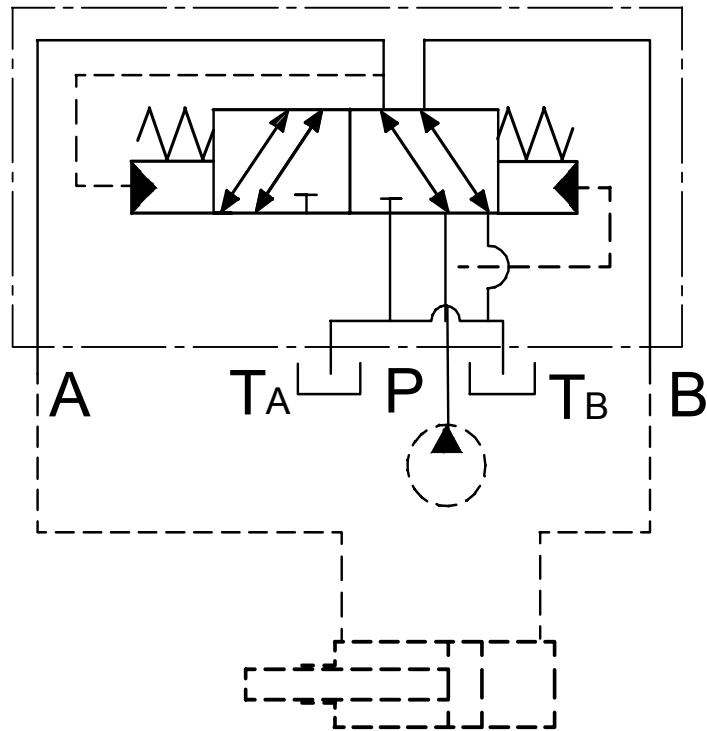
### TECHNICAL DATA

Working fluid	Mineral oil
Nominal fluid viscosity	37 mm <sup>2</sup> /s at a temp. 328 K (55 °C)
Viscosity range	2,8 to 328 mm <sup>2</sup> /s
Optimum working temperature range	313 to 328 (40 do 55°C)
Temperature range	243 to 343 (-30 do 70°C)
Required fluid filtration	16 µm
Reccomended fluid filtration	10 µm
Max. working pressure	20 MPa
Min. working pressure	2 MPa
Weight	2,6 kg

# OVERALL DIMENSIONS

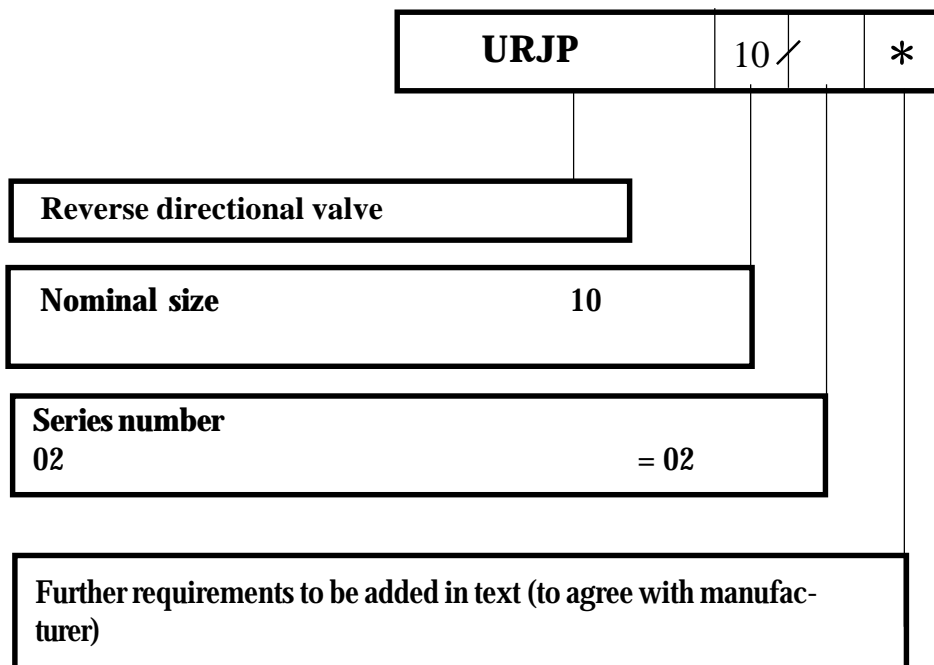


## SYMBOL

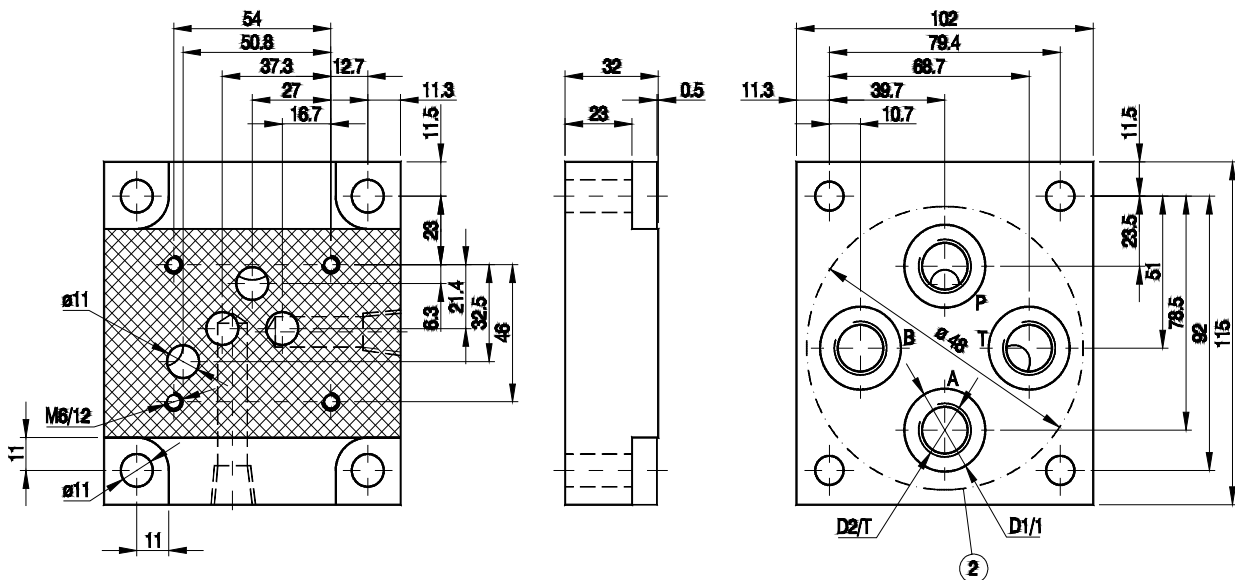


## HOW TO ORDER

Orders coded in the way showed below should be forwarded to the manufacturer.

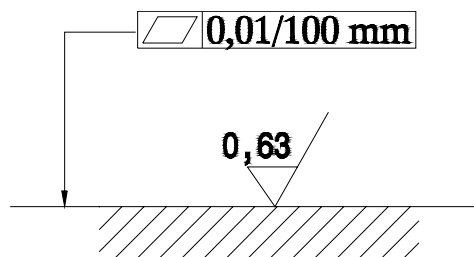


**Coding example:**  
**URJP 10 / 02**



Typ	D1	D2	T	weight	Mounting bolts	Md
G89/ 01	25	G1/ 4	12	2,3 kg	4 x M6 x 50 - 10,9 PN - 87/ M-82302 (DIN 912)	15 Nm
G66/ 01	28	G3/ 8	12			
G67/ 01	34	G1/ 2	14			
G67/ 02	36	M22 x 1,5	17			

**Caution:** The subplate and mounting bolts are not included with this valve



Required surface finish of a matching subplate

PONAR WADOWICE S.A.  
 ul. Wojska Polskiego 29  
 34-100 Wadowice  
 tel. 033/ 823 39 43, 823 30 41  
 fax 033/ 873 48 80  
 e-mail: ponar@ponar-wadowice.pl

