

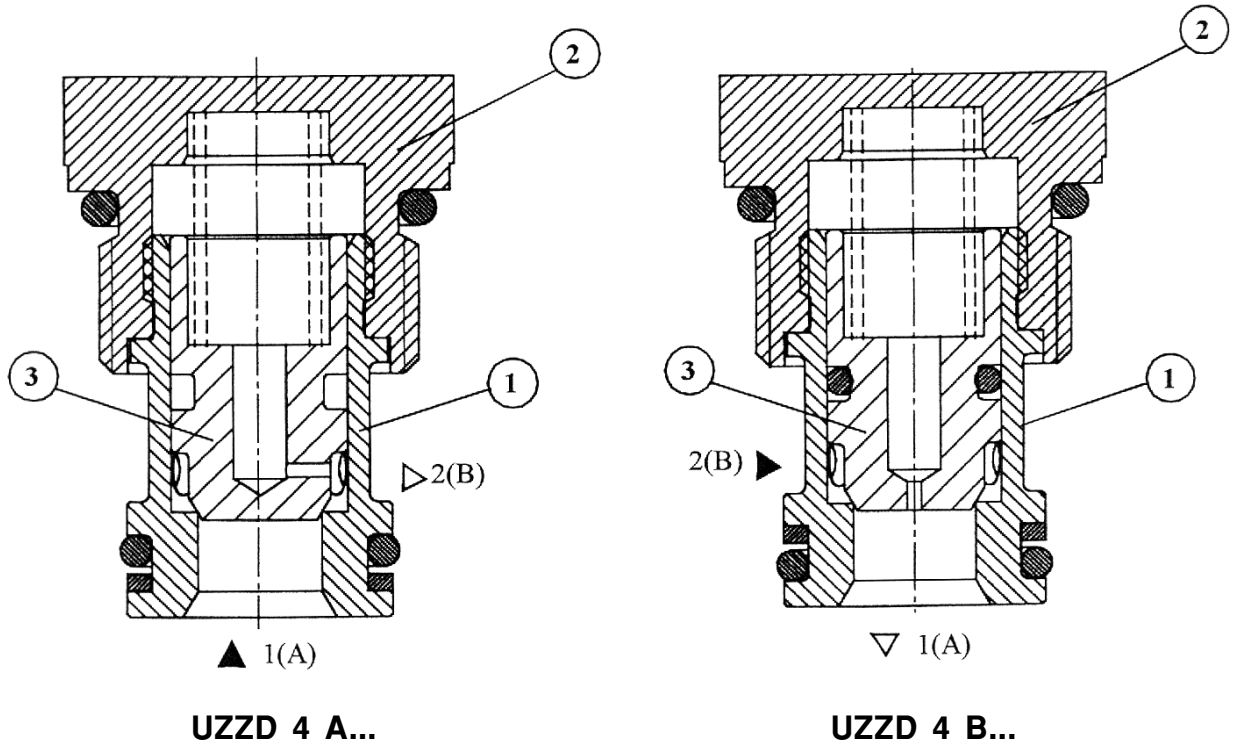
### APPLICATION

Non-return cartridge valves are used in hydraulic systems which require non-restricted flow in one direction and automatic stopping of flow in the opposite direction. These valves may be used as low-pressure overflow valves for maintaining defined pressure drop during flow. These valves may be installed in any position.



### DESCRIPTION OF OPERATION

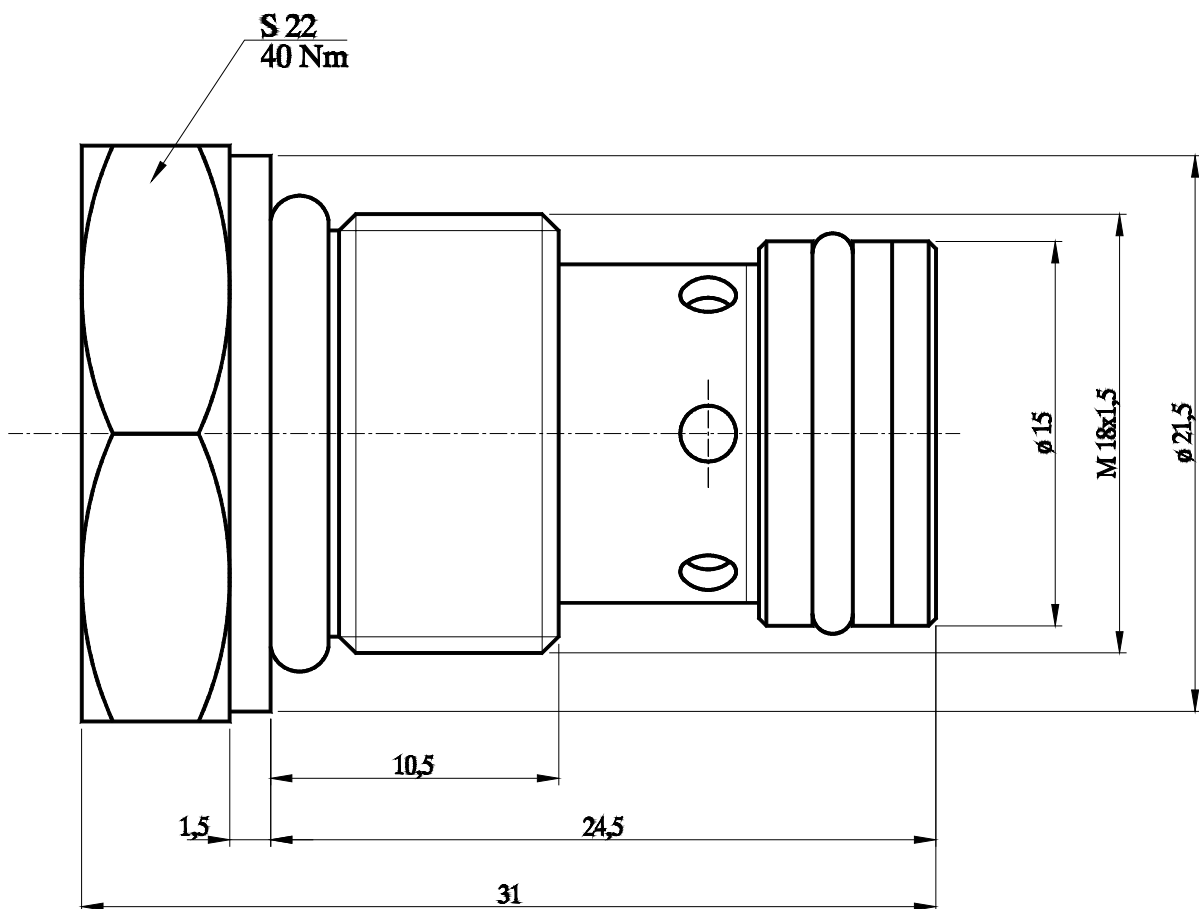
Plug 2 is mounted in sleeve 1, which also forms the seat for spring. The spring pushes cone 3 against the inner edge of sleeve. When the pressure difference at orifice 1 or 2 exceeds the opening pressure determined by the spring, the cone is moved along the cylindrical surface of the sleeve and flow is enabled from orifice 1 to 2 (ver. "A") or 2 to 1 (ver. "B").



## TECHNICAL DATE

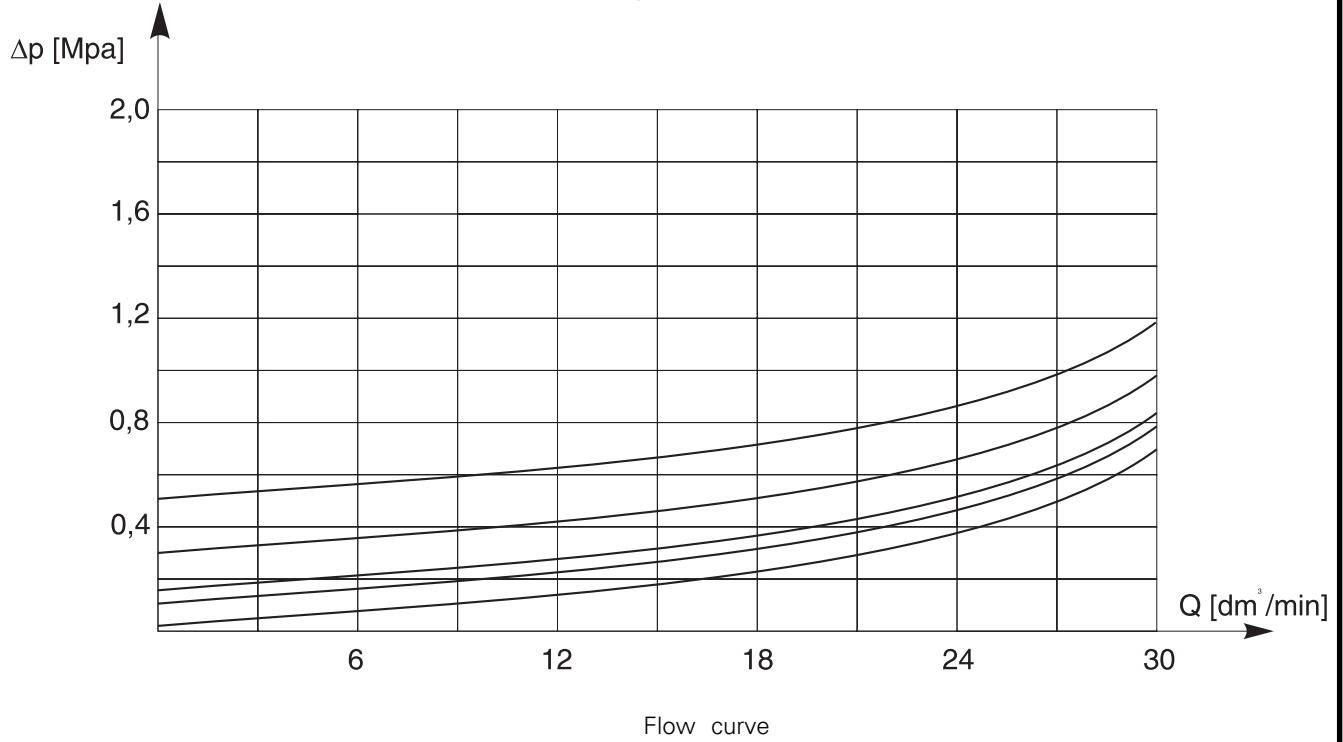
Working fluid	Mineral oil
Nominal fluid viscosity	37 mm <sup>2</sup> /s at temperature 328 K
Viscosity range	2,8 up to 380 mm <sup>2</sup> /s
Optimum working temperature range	313 up to 328 K (40 up to 55 °C)
Fluid temperature range	243 up to 343 K (-30 up to 70 °C)
Required fluid filtration	16 µm
Recommended fluid filtration	10 µm
Max fluid pressure	29 MPa
Cracking pressure	0,03 – 0,5 MPa
Weight	0,06 kg

## OVERALL AND CONNECTION DIMENSIONS

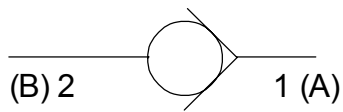




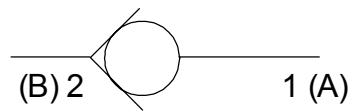
**Performance curves** at  $n=41\text{mm}^2/\text{s}$  and temperature 323 K



**SYMBOL**



UZZD 4A ...



UZZD 4B ...

## HOW TO ORDER

Orders coded in the way showed below should be forwarded to the manufacturer

<b>UZZD 4</b>										*
---------------	--	--	--	--	--	--	--	--	--	---

<b>Check valve</b>	
--------------------	--

<b>Direction of flow</b>	
Flow from 1 to 2	= A
Flow from 2 to 1	= B

<b>Series number</b>	
12	= 12

<b>Cracking pressure</b>	
0,03 MPa	= 03
0,1 MPa (only for valve A)	= 10
0,15 MPa (only for valve A)	= 15
0,3 MPa	= 30
0,5 MPa	= 50

<b>Kind of cavity</b>	
Cavity M18x1,5	= M1

<b>Sealing</b>	
for fluids on mineral oil base	= no designation
for fluid on phosphate ester base	= V

<b>Further requirements to be added in text (to agree with the manufacturer)</b>
--

CODING EXAMPLE:  
**UZZD 4 A-12/30 M1 V**

PONAR WADOWICE S.A.  
ul. Wojska Polskiego 29  
34-100 Wadowice  
tel. 033/ 823 39 43, 823 30 41  
fax 033/ 873 48 80  
e-mail: ponar@ponar-wadowice.pl

