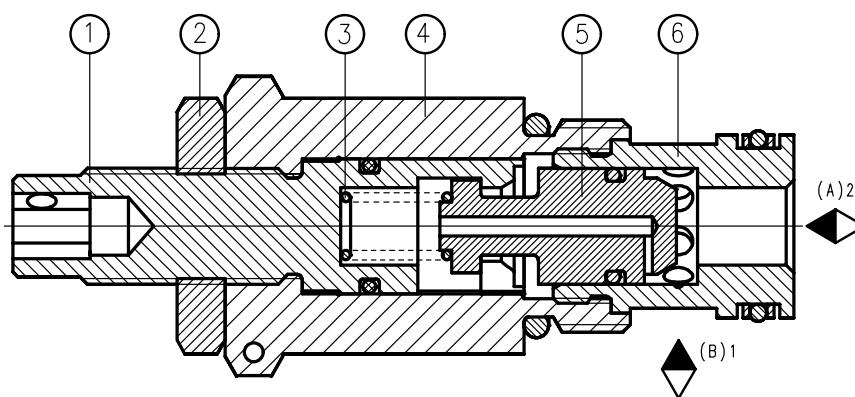


Valves type UDZD 6 are cartridge throttle/check valves in which flow rate depends on temperature and pressure difference at the throttling point. They are designed to control fluid flow rate in one direction and allow free flow in the opposite direction.

They can be applied in hydraulic systems with constant operating resistance or where speed changes at load changes are of no importance.



Description of operation

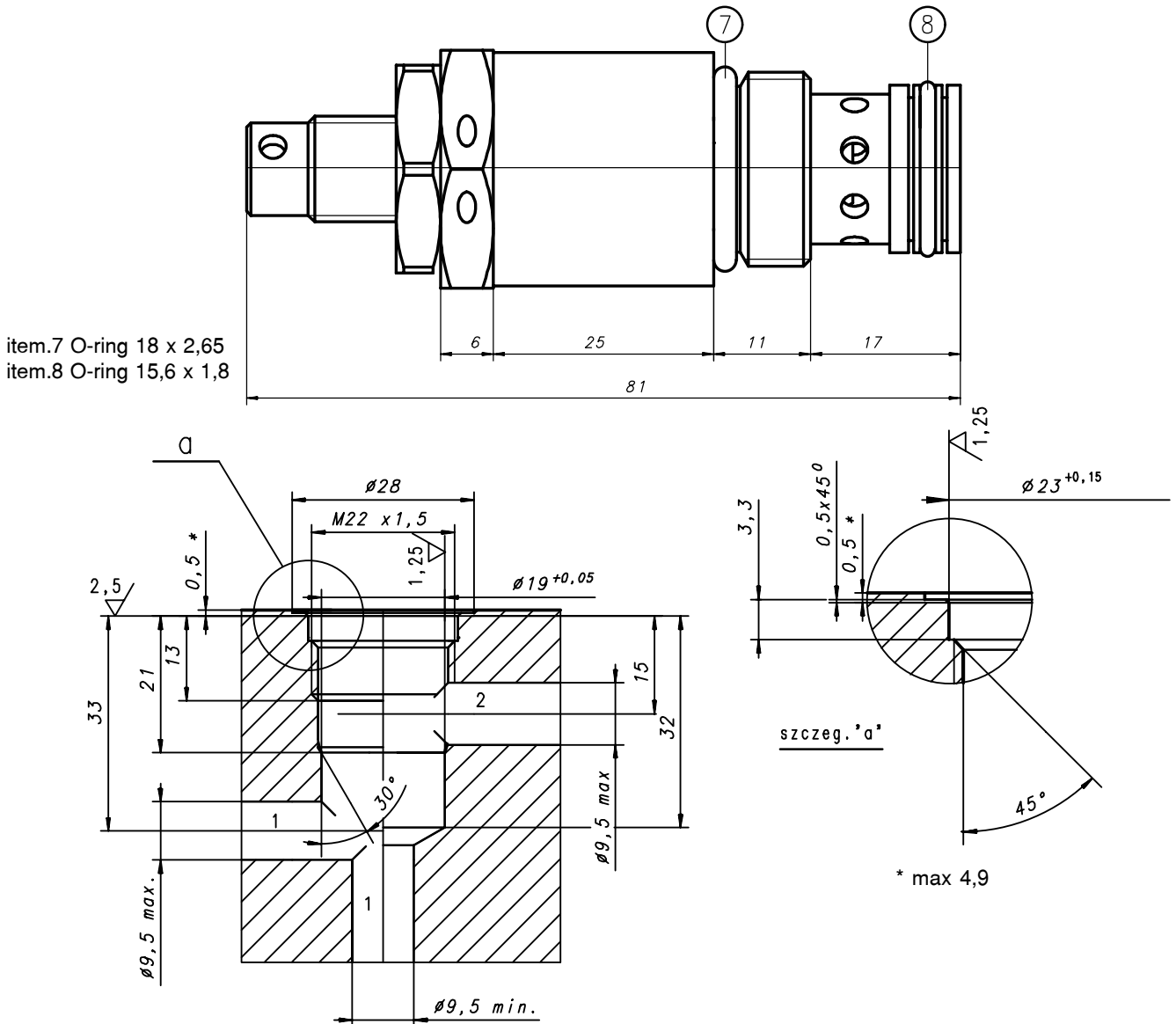
In throttling direction fluid flows to the back side of the check valve poppet 5 which is pressed against the bush 6 in the housing 4 by means of the spring 3. Throttling takes place between the bush and the adjustable poppet.

In the opposite direction fluid flow acts on the surface face of the poppet. The poppet is thus lifted from the bush and fluid flows freely through the valve.

TECHNICAL DATA

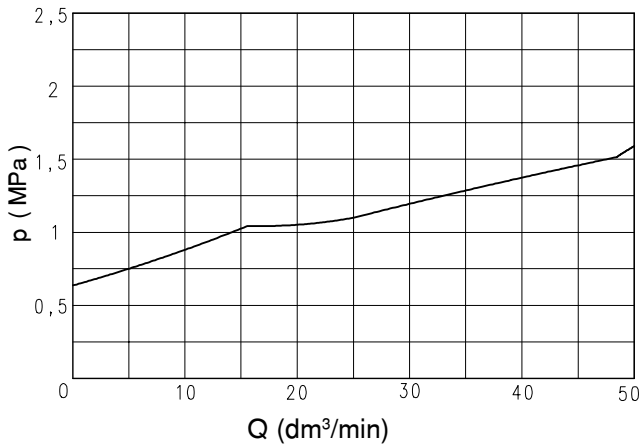
| | |
|-------------------------------|--|
| Working medium | Mineral oil |
| Nominal fluid viscosity 37 | 37 mm ² /s w temperaturze 328 K |
| Viscosity range | 2,8 do 380 mm ² /s |
| Working temperature (in tank) | 313 - 328 K |
| Fluid temperature range | 243 - 343 K |
| Cracking pressure range | 0,1 MPa; 15 MPa; 0,3 MPa; 0,5 MPa |
| Operating pressure - up to | 29 MPa |
| Flow rate - up to | 40 dm ³ /min. |
| Required filtration | 16 μm |
| Recommended filtration | 10 μm |
| Weight | ~ 0,2 kg |

OVERALL AND CONNECTION DIMENSIONS

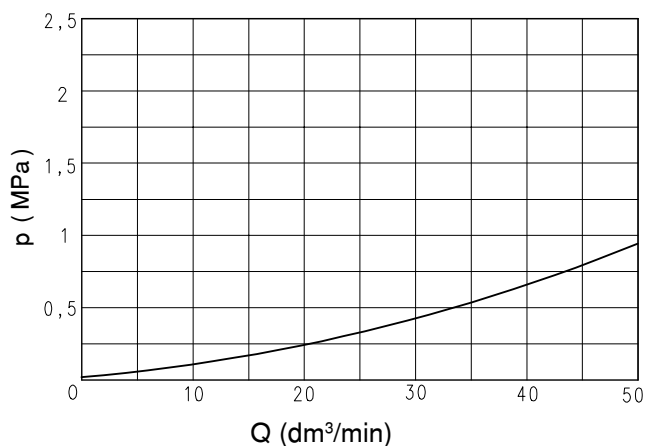


Performance curves at $n=41\text{mm}^2/\text{s}$ and temperature 323 K

Flow curve



Check valve closed (B → A)

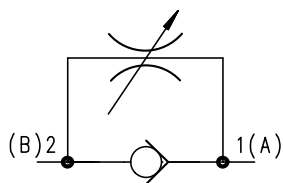


Check valve opened (A → B)

Operating pressure in relation to flow.

SYMBOL

Type UDZD 6



HOW TO ORDER

Orders coded in the way showed below should be forwarded to the manufacturer

| | | | |
|--------|--------|--------|---|
| UDZD 6 | / 12 - | - M1 - | * |
|--------|--------|--------|---|

| | |
|--|--|
| Series number 02 = 02 (02 - 09) = installation and connection dimension unchanged | |
| Cracking pressure 0,3 MPa = 30 0,5 MPa = 50 | |
| Kind of cavity Cavity M22x1,5 = M1 | |
| Sealing oilproof = no designation viton = V | |
| Further requirements to be added in text (to agree with the manufacturer) | |

CODING EXAMPLE :
UDZD 6 / 12 - 30 - M1

PONAR WADOWICE S.A.
ul. Wojska Polskiego 29
34-100 Wadowice
tel. 033/ 823 39 43, 823 30 41
fax 033/ 873 48 80
e-mail: ponar@ponar-wadowice.pl

