

APPLICATION

Pressure relief valve direct operated type UZPDE6 is used to limit pressure in a hydraulic circuit or its part. The valve is designed for cartridge mounting (screwed into a cavity). The relief is directly to a tank.

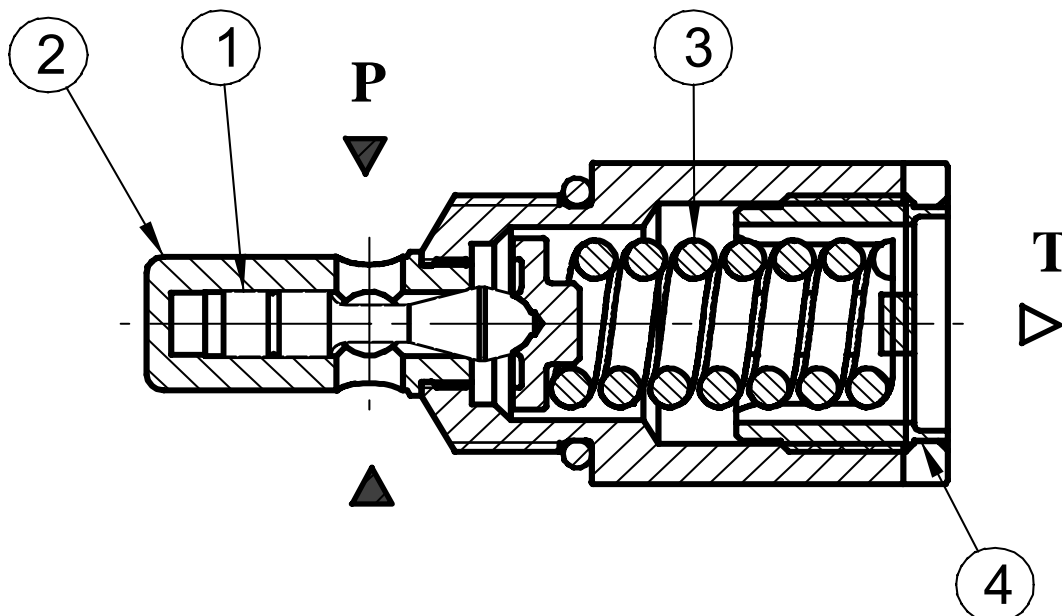
The basic version i.e. UZPDE6-02/210 is an equivalent to valve no 3401834m91 applied at the hydraulic circuit of a lift in URSUS tractor type 5312..., 5314..., 6012..., 6014..., set at pressure 21 MPa. The valve may have another application and as such should be coded as on page 4.



DESCRIPTION OF OPERATION

Working element of the relief valve is a moveable poppet 1 which is held in neutral position in the housing 2 by a spring 3. Opening pressure is set at the adjustment 4. The valve can be produced in two versions :

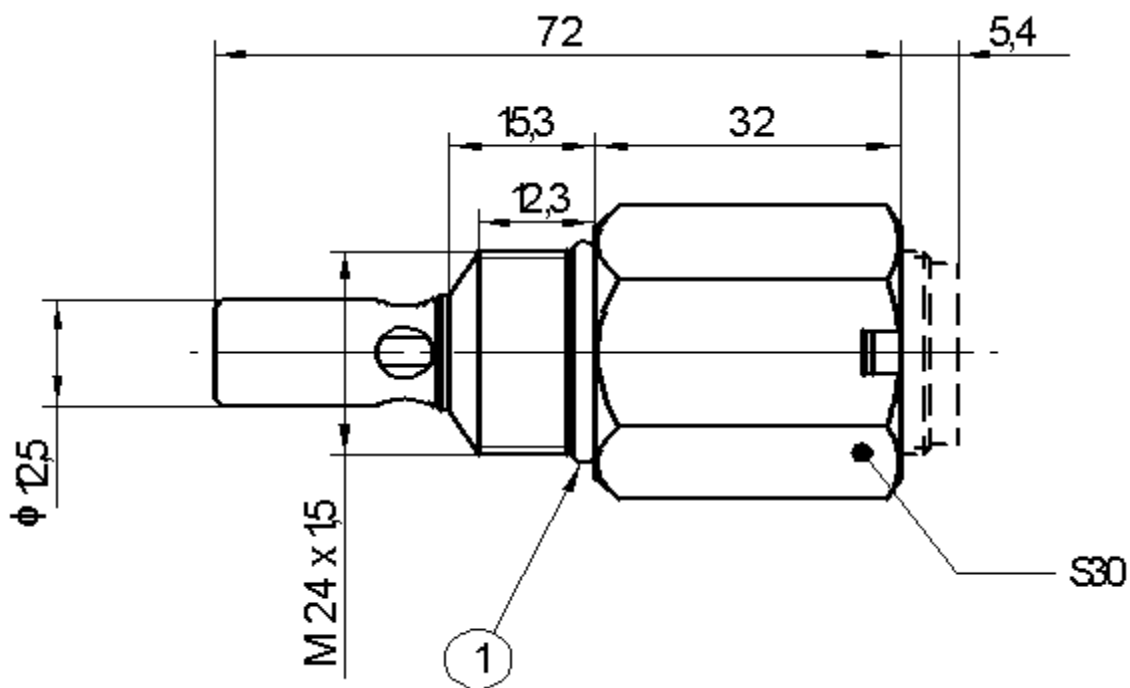
- without defining opening pressure in the valve code (see page 4) ; possibility of regulation of the opening pressure in the range from 3 to 25 MPa
- with defining opening pressure in the valve code ; the valve is set for the pressure required and protected against readjustment.



TECHNICAL DATA

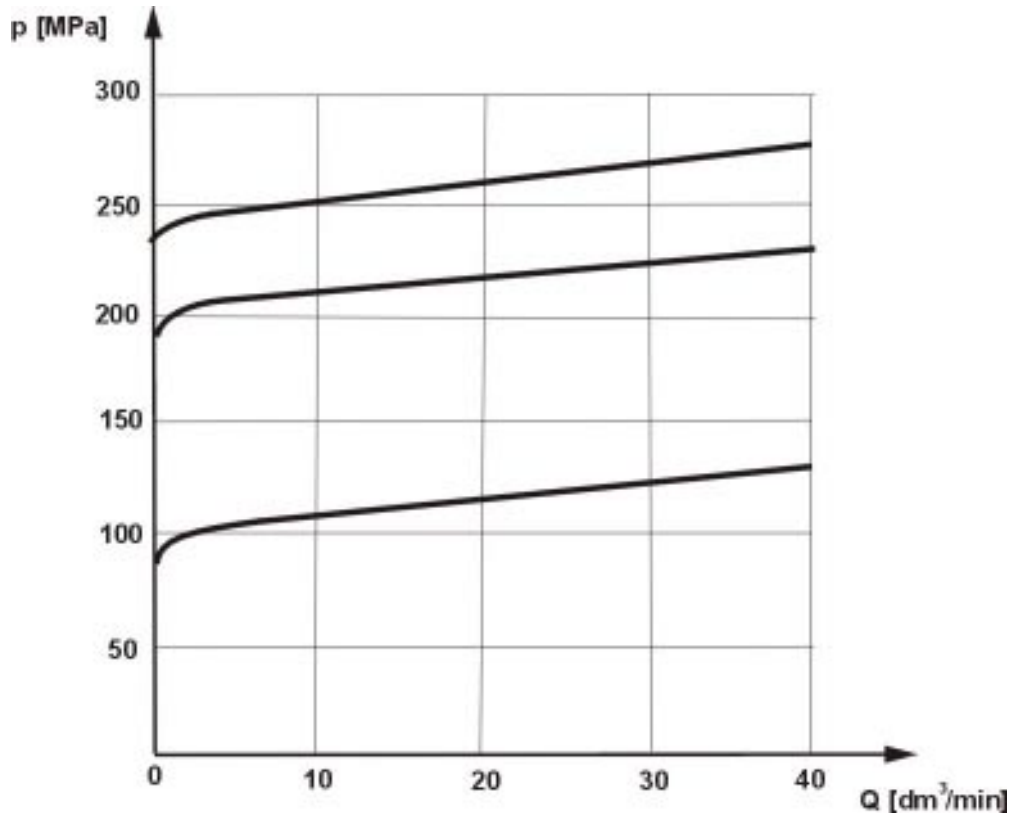
Working fluid	Mineral oil
Nominal fluid viscosity	37 mm ² /s at a temp 328 K (55 ⁰ C)
Viscosity range	2,8 do 380 mm ² /s
Optimum working temperature range	313 – 328 K (40 to 55 ⁰ C)
Temperature range	243 – 343 K (-30 to 70 ⁰ C)
Max setting pressure	25 MPa
Min. Setting pressure	3 (10) MPa
Max flow rate	40 dm ³ /min
Required filtration	16 μm
Reccomeded filtration	10 μm
Weight	0,22 kg

OVERALL DIMENSIONS

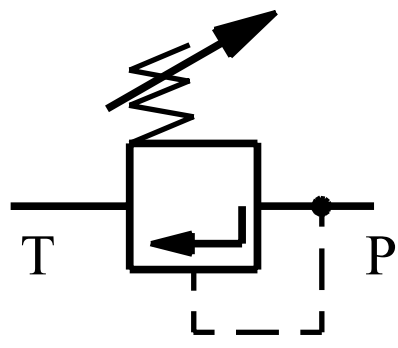


poz. 1 sealing ring "O-ring+ 21,3 x 2,4 NBR 85⁰Sh

PERFORMANCE CURVES at $v = 41 \text{ mm}^2/\text{s}$ and a temp. 323 K



SYMBOL



HOW TO ORDER

Orders coded in the way showed below should be forwarded to the manufacturer.

UZIPDE6 - 02/.....

Pressure relief valve direct operated

Series number:

00-09 =02

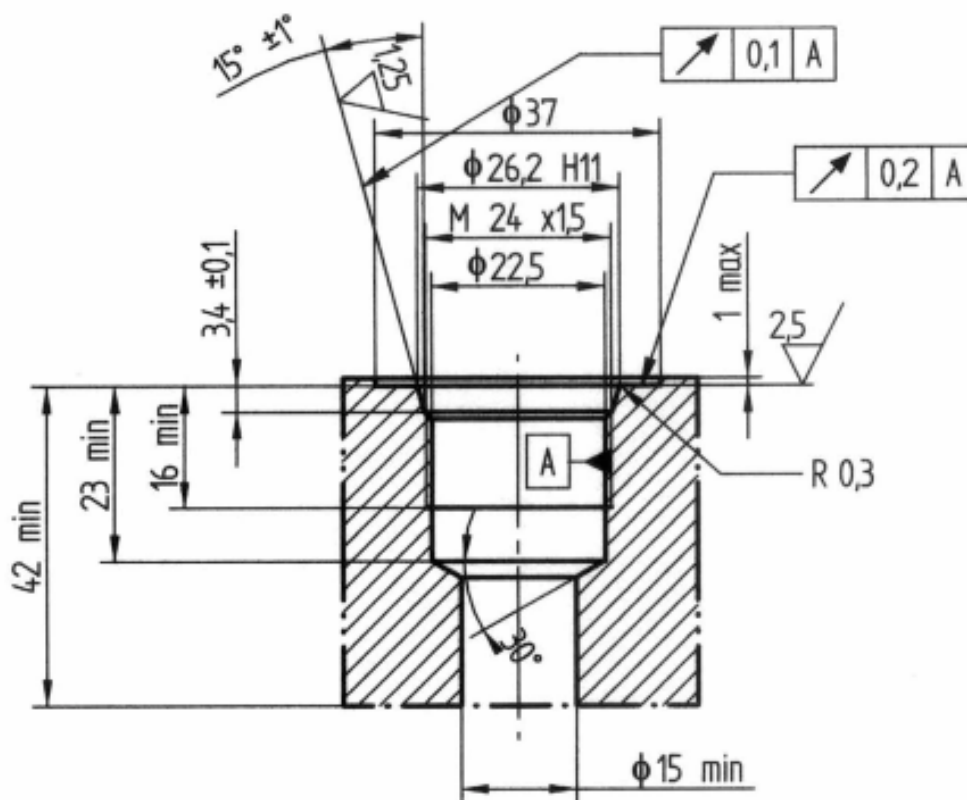
installation and connection dimension unchanged

**Opening pressure
(range 10-25 MPa)**

Example - with defining opening pressure: **UZIPDE6 - 02**

- the valve is set for the pressure 21 MPa and protected against readjustment.: **UZIPDE6 - 02/210** - for URSUS tractor

Dimensions of a cavity



PONAR WADOWICE S.A.
ul. Wojska Polskiego 29
34-100 Wadowice
tel. 033/ 823 39 43, 823 30 41
fax 033/ 873 48 80
e-mail: ponar@ponar-wadowice.pl

PONAR[®]
wadowice